



# METPAR PLASTIC LAMINATE TOILET ENCLOSURES

## The Forum – Type CH700 - Ceiling Hung

- MATERIALS:** Plastic Laminate over particle board.
- THICKNESS:** Doors..... Finished to 1" (25.4mm) at 58" (1473) high  
Panels..... Finished to 1" (25.4mm) at 58" (1473) high  
Pilasters..... Finished to 1¼" (31.75mm) at 12" (305) AFF

### CONSTRUCTION:

#### Doors:

Finished to 1" (25.4) thick, constructed of .04" (1.02) postform grade 12 decorative laminate over three-ply core, resin impregnated, 45-pound density particle board; *NEMA* approved and used exclusively. Edge laminates are applied before face laminates.

#### Panels:

Finished to 1" (25.4) thick, constructed of .04" (1.02) postform grade 12 decorative laminate over three-ply core, resin impregnated, 45-pound density particle board; *NEMA* approved and used exclusively. Edge laminates are applied before face laminates.

#### Pilasters:

Finished to 1¼"(31.75) thick, constructed of .04" (1.02) postform grade 12 decorative laminate over three-ply core, resin impregnated, 45 pound density particle board; *NEMA* approved and used exclusively. Edge laminates are applied before face laminates. All pilasters will have a 3" (76.2) high #4 finish stainless steel plinth and have a straight profile with square edges to match the pilaster profile. Pilasters are to be secured to structural ceiling members (supplied by others) using a 3/8" (9.52) steel bolts and pilaster leveling nuts. Lock washers are used with all nuts to prevent loosening by vibration. Bottom of doors are level with bottom of pilasters with no protruding hardware. Tension nuts are used to apply equal and opposite pressure to all points of mounting system. Zinc plated 3/8" (9.52) diameter studs, lockwashers and nuts are provided.

### BRACKETS:

Wall and panel-to-pilaster brackets are chrome-plated zamac die castings. All wall connections must be with 1-ear or 2-ear brackets using a minimum of two (2) per connection. All panel-to-pilaster connections will use a U-bracket with a minimum of two (2) per connection.

### DOOR HARDWARE:

Each compartment will be complete with all hardware, 2 door hinges, latch, stop and keeper, coat hook, as well as all necessary fittings and fastenings for a complete installation. Hinges and door strikes are fastened by means of tamper-proof Torx Pin Head through bolts, which are polished chrome plated. All other screws to be tamper-proof Torx Pin Head chrome plated. Doors are to be hung on concealed gravity hinges. Upper hinge shall use a 3/8" (9.525) diameter steel pin. All hinges will have wrap-around flanges with a minimum of 5/8" (15.875) wrap onto all pilasters.

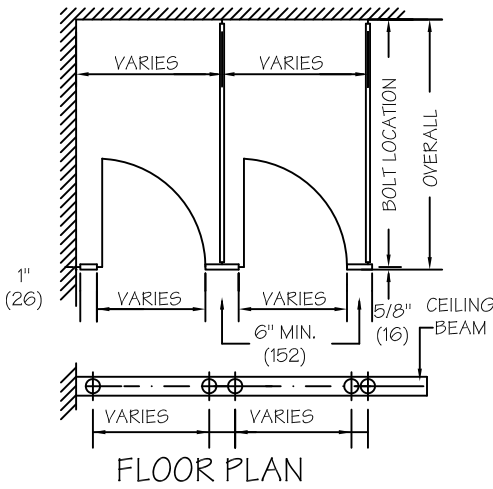
### OPTIONAL:

Full length clear anodized aluminum privacy strips to conceal gaps between doors and pilasters. Stainless steel surface mounted hinges or full length stainless steel MultiCam® hinges, both with stainless steel surface latch, S&K.

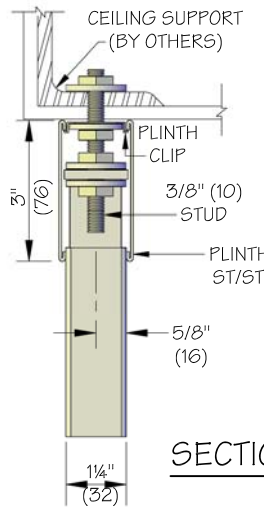


95 State Street, Westbury, NY 11590 ~ T: 516-333-2600 ~ F: 516-333-2618 ~ [Metpar.com](http://Metpar.com) ~ [Service@Metpar.com](mailto:Service@Metpar.com)

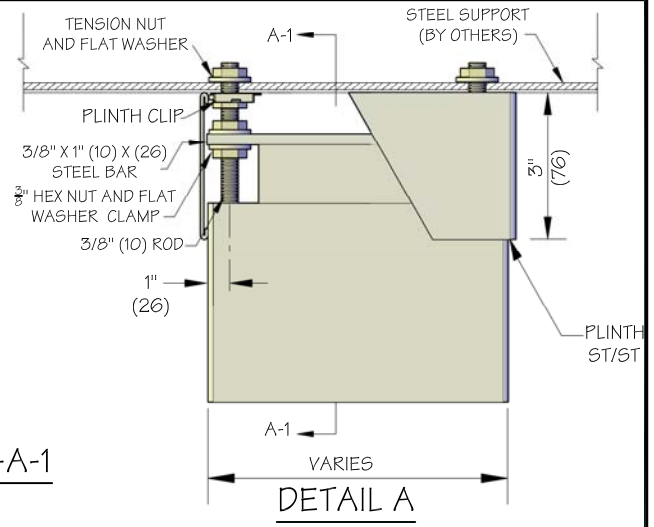
DIMENSIONS IN ( )= MILLIMETERS



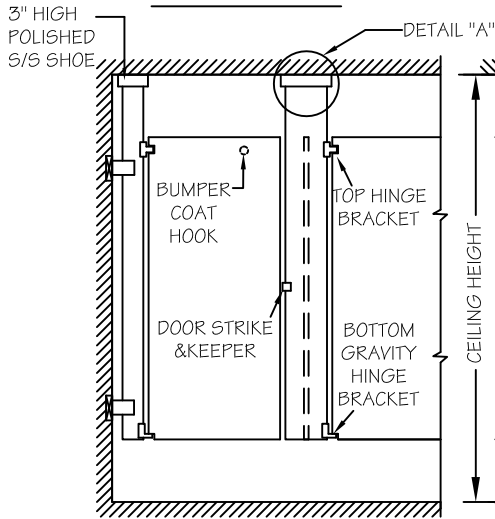
FLOOR PLAN



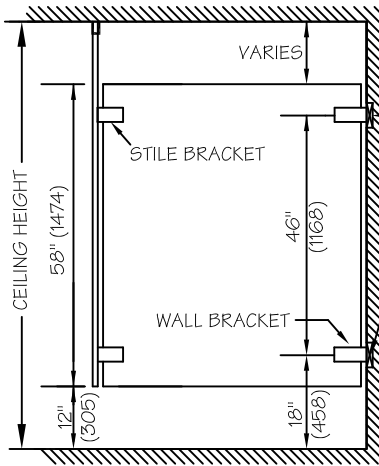
SECTION-A-1



DETAIL A



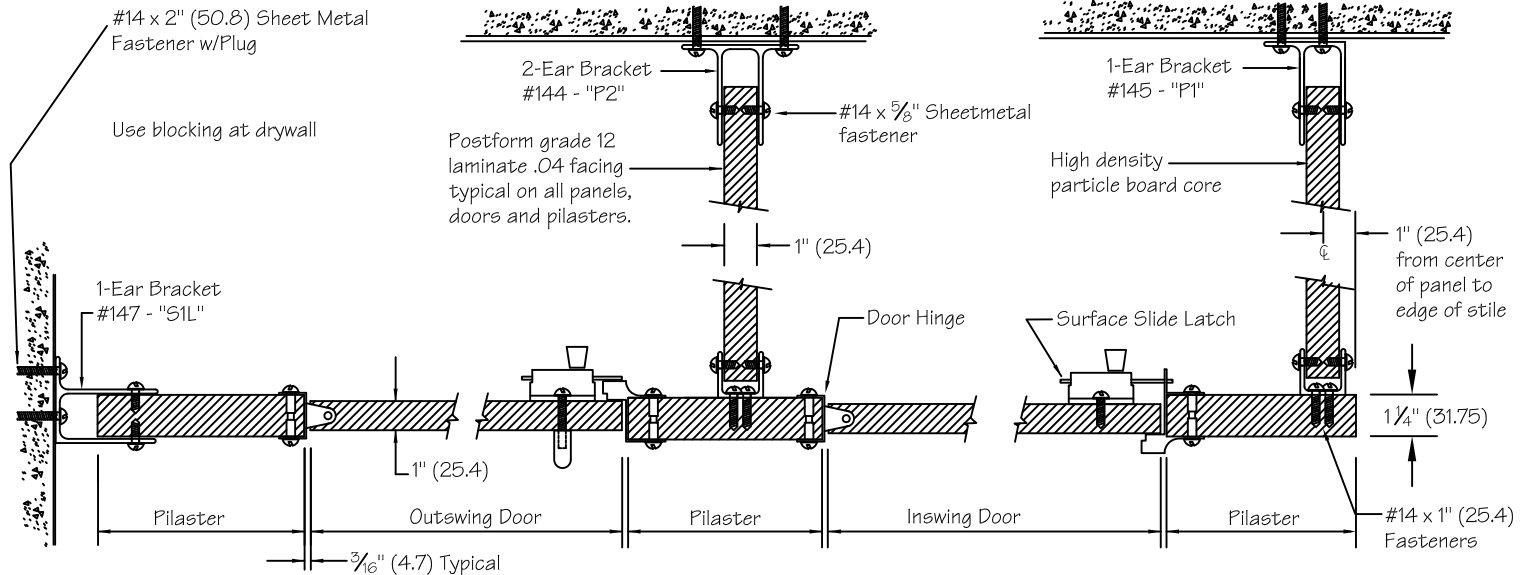
FRONT ELEVATION



SIDE ELEVATION

Blocking (by others) shown for standard CPZ stirrup brackets. for full height or any other bracket, consult with Metpar distributors for blocking information and locations.

**NOTES:** This drawing is a standard detail intended to show general construction and specification information. see shop drawings for actual job layout and specific job conditions which supercede any conflicting information on this sheet.



# METPAR CORP

95 State Street, Westbury, NY 11590

Tel: 516-333-2600 Fax: 516-333-2618

www.Metpar.com ~ Sales@Metpar.com

PLASTIC LAMINATE  
Standard Detail Ceiling Hung  
CH700 - The Forum

CH700PL.DWG

12/03/2018