



METPAR SOLID PHENOLIC TOILET ENCLOSURES

The Corinthian – Type FP500 - Overhead Braced

MATERIALS: Solid phenolic with melamine surface both sides produced with resin impregnated materials compressed at pressures exceeding 1000 p.s.i. at 256 degrees Fahrenheit resulting in a solid, dense, water resistant product. All edges to be black.

THICKNESS: Doors..... Finished thickness to $\frac{3}{4}$ " (19.05mm) at 58" (1473) high
Panels..... Finished thickness to $\frac{1}{2}$ " (12.7mm) at 58" (1473) high
Pilasters..... Finished thickness to $\frac{3}{4}$ " (19.05mm) at 82" (2083) high

CONSTRUCTION:

Doors and Panels:

Doors and panels are manufactured from solid phenolic materials. Laminating to a core material is not an acceptable alternative. All edges are beveled and polished. Phenolic is Class-B fire rated based on E-84 Tunnel testing; NFPA No. 255 and U.L. No. 723.

Pilasters:

Pilasters are manufactured from solid phenolic materials. Laminating to a core material is not an acceptable alternative. All edges are beveled and polished. Phenolic is Class-B fire rated based on E-84 Tunnel testing; NFPA No. 255 and U.L. No. 723. Pilasters are to be secured to concrete floor with type 304 stainless steel floor mounting clips. All pilasters will have a 3" (76.2) high #4 finish stainless steel plinth and have straight, flat sides to match pilaster profile. Anodized aluminum headrail, .050" (1.27) wall thickness, with anti-grip profile, will brace the top of the pilasters.

BRACKETS:

Wall and pilaster brackets are 13 gauge stainless steel. All connections use 1-ear or 2-ear stirrup brackets with a minimum of two (2) per connection.

DOOR HARDWARE:

Each compartment will be complete with all stainless steel surface mounted hardware including; door hinges, latch, stop and keeper, coat hook, as well as all the necessary fittings and fastenings for a complete installation. Fasteners are stainless steel through bolts with tamper-proof Torx-Pin heads. Door hinges to be surface mounted and attached with thru-bolts to doors and pilasters. Hinge material to be 12 gauge 304 stainless steel with bearing angles of 16 gauge 304 stainless to be electrically welded to full length of both leaves of the top and bottom hinge assemblies to prevent door sag. Fully adjustable door positioning cam and pintle to be made from nylon with a stainless steel pin encased in nylon. Pin must be held in position with snap ring design. Remaining door hardware (e.g. latch, S&K, etc.) is cast stainless steel.

OPTIONAL FEATURES:

Maximum privacy with a rabbeted edge on the strike side of each door to mate with a coinciding rabbeted edge on each pilaster, coupled with a full height MultiCam hinge to eliminate any gaps. Aluminum curtain track, glides and curtains. Phenolic dressing seats. Full height stainless steel angles and U-brackets. Class-A rated solid phenolic material.



95 State Street, Westbury, New York USA 11590

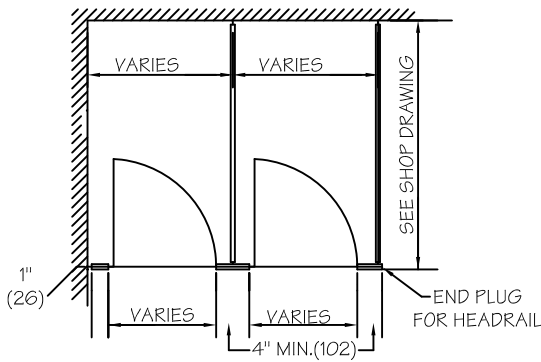
Tel: 516-333-2600 ~ Fax: 516-333-2618

www.Metpar.com ~ Sales@Metpar.com

Get a 3-part detailed industry format spec sheet for 10-21-00 Toilet Partitions?

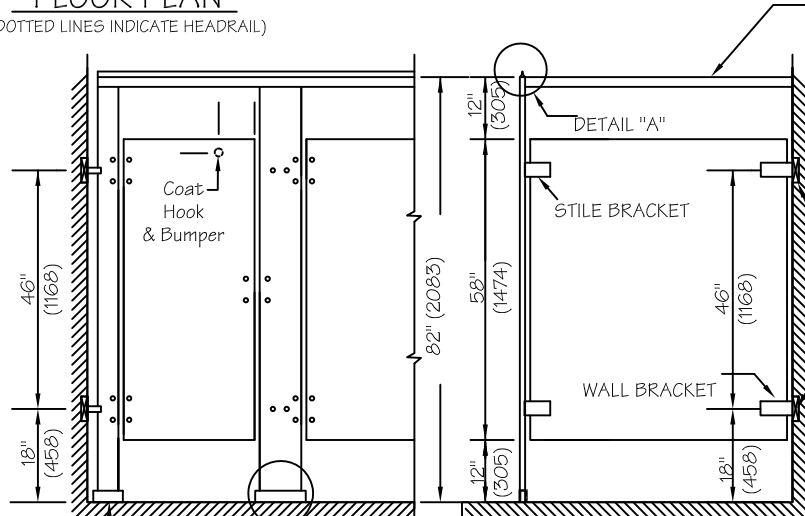


DIMENSIONS IN () = MILLIMETERS



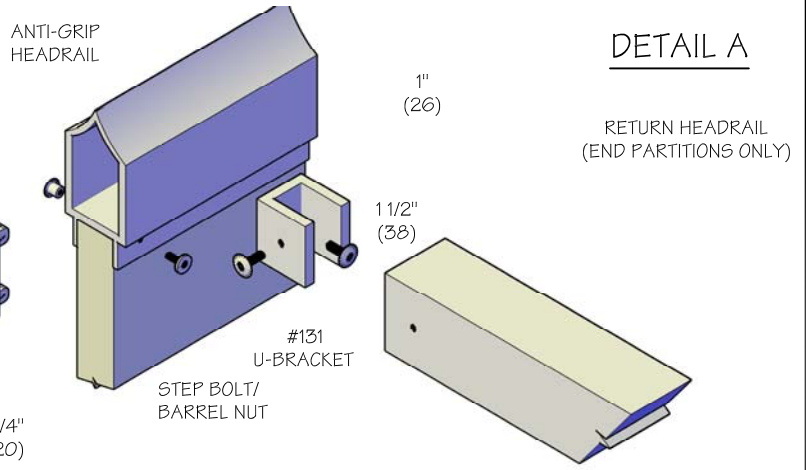
FLOOR PLAN

(DOTTED LINES INDICATE HEADRAIL)



FRONT ELEVATION

SIDE ELEVATION

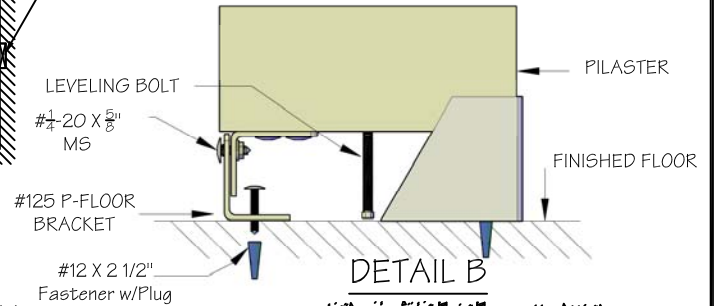


DETAIL A

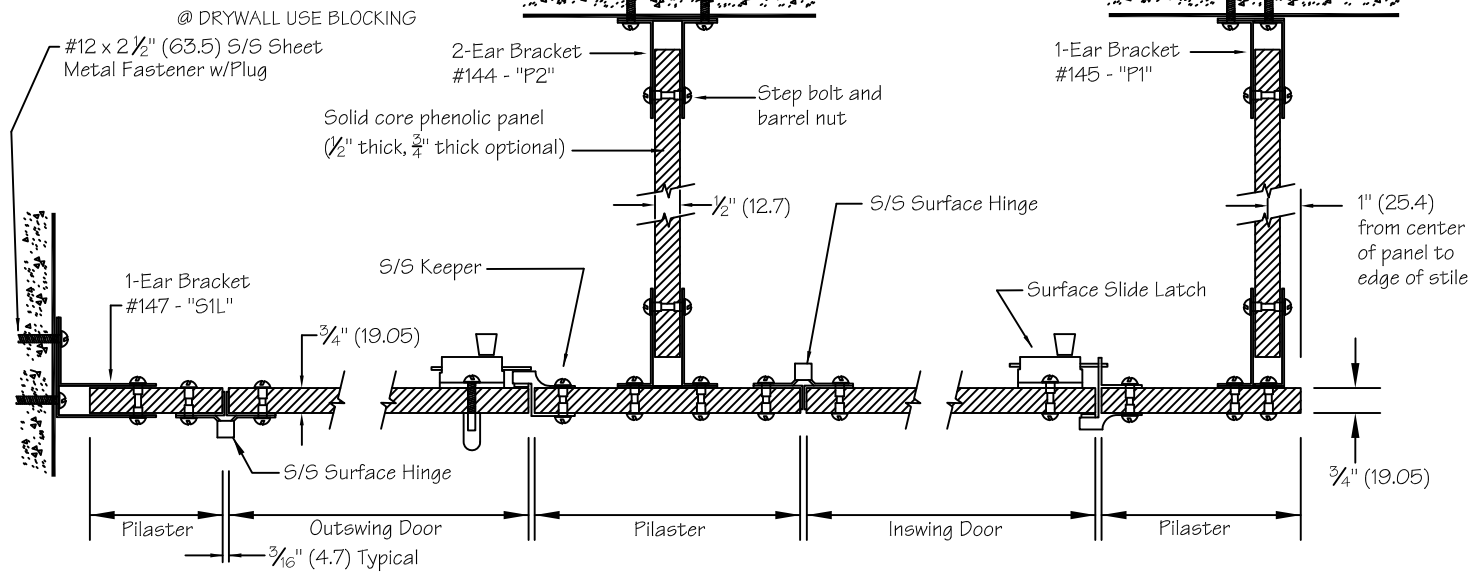
1" X 1 1/2" ALUMINUM RECTANGULAR HEADRAIL (OVER END PANEL ONLY) (26 X 38)

NOTES: This drawing is a standard detail intended to show general information. See shop drawings for actual job layout and specific job conditions that supercede any conflicting information on this sheet.

Blocking (by others) shown for standard CPZ stirrup brackets. for full height or any other bracket, consult with Metpar distributors for blocking information and locations.



DETAIL B



METPAR CORP

95 State Street, Westbury, NY 11590

Tel: 516-333-2600 Fax: 516-333-2618

www.Metpar.com ~ Sales@Metpar.com

SOLID PHENOLIC
STANDARD DETAIL OVERHEAD BRACED
FP500 - THE CORINTHIAN

FP500PH.DWG

09/07/2017