

STAINLESS STEEL TOILET ENCLOSURES

THE FORUM METPAR TYPE: CH-700 Ceiling Hung

MATERIALS: Stainless Steel #301/304 series with #4 finish

THICKNESS: Doors..... 22 Gauge, Finished to 1" (25.4mm)
 Panels..... 20 Gauge, Finished to 1" (25.4mm)
 Pilasters..... 18 Gauge, Finished to 1 ¼" (31.75mm)

CONSTRUCTION:

Doors:

Finished to 1" (25.4) thick, constructed of two sheets of 22-gauge stainless steel formed and cemented under pressure to a honeycomb core. Door face sheets are welded at intervals around the entire perimeter. All edges to be finished with a 20-gauge stainless steel interlocking molding. Corners are finished with pre-formed stainless steel (type 304) reinforcements. Doors shall have internal steel reinforcements to secure hardware items.

Panels:

Finished to 1" (25.4) thick, constructed of 2 sheets of 20-gauge stainless steel, formed and cemented under pressure to a honeycomb core. All partition edges are finished with a 20-gauge stainless steel interlocking molding. Corners will be finished with pre-formed stainless steel (type 304) reinforcements.

Pilasters:

Finished to 1¼" (31.75) thick, constructed of two sheets of 18-gauge stainless steel, formed and assembled with a honeycomb core. Face sheets are electrically welded at intervals around the entire perimeter. All pilasters will have a 3" (76.2) high #4 finish stainless steel plinth (18-8 type 304) and have straight, flat sides with rounded edges to match the pilaster profile. Mounting channels are 12-gauge steel formed and electrically welded to the pilaster face sheets. Zinc plated 3/8" (9.52) diameter studs, lock washers and nuts are provided.

FITTINGS:

and pilaster attachment brackets are die cast chrome plated stirrup brackets with a minimum of two (2) brackets per.

HARDWARE:

Each compartment will be complete with all hardware, door hinges, latch, stop and keeper, coat hook, as well as all necessary fittings and fastenings for a complete installation. Hinges and door strikes are fastened by means of tamper-proof Torx-Pin Head through bolts, which are polished chrome plated. All other screws to be tamper-proof Torx-Pin Head chrome plated. Doors are to be hung on a concealed, "stay-set", fully adjustable, non-rising door mechanism. Upper hinge pin shall be 3/8" (9.525) diameter steel. All hinges will have wrap-around flanges with a minimum of 5/8" (15.875) wrap onto pilaster. All doors will have a concealed ADA approved slide latch with external "in-use" indicator.

FINISH:

All stainless steel material will have a #4 satin finish.



METPAR CORP

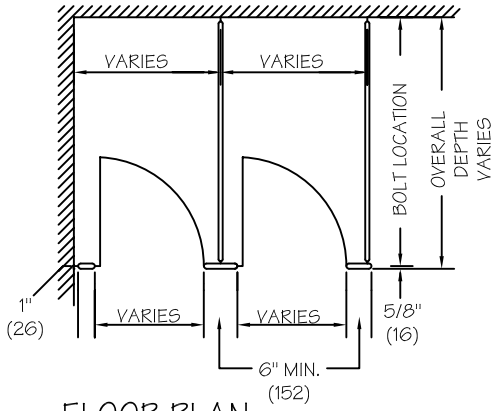
95 State Street, P.O. Box 1873

Westbury, New York, 11590

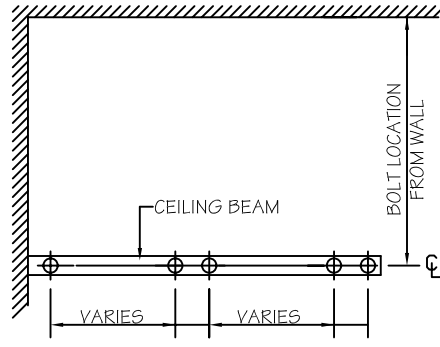
Tel: (516) 333-2600 ~ Fax: (516) 333-2618

Email: Sales@Metpar.com ~ URL: <http://www.Metpar.com>

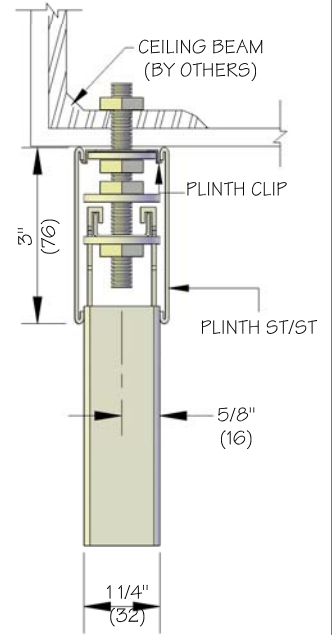
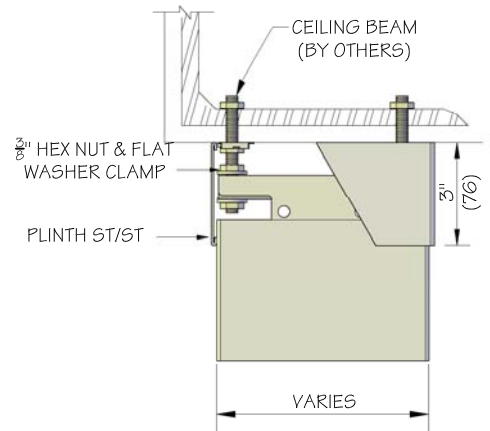
DIMENSIONS IN () = MILLIMETERS



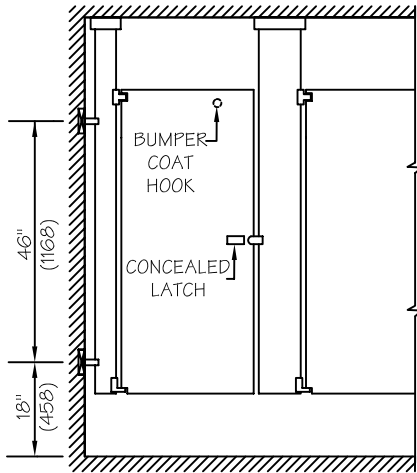
FLOOR PLAN



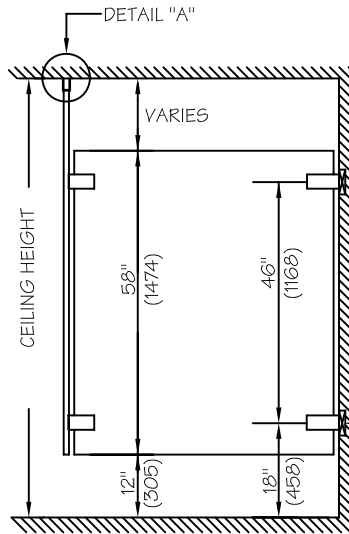
OVERHEAD STEEL PLAN



DETAIL A



FRONT ELEVATION

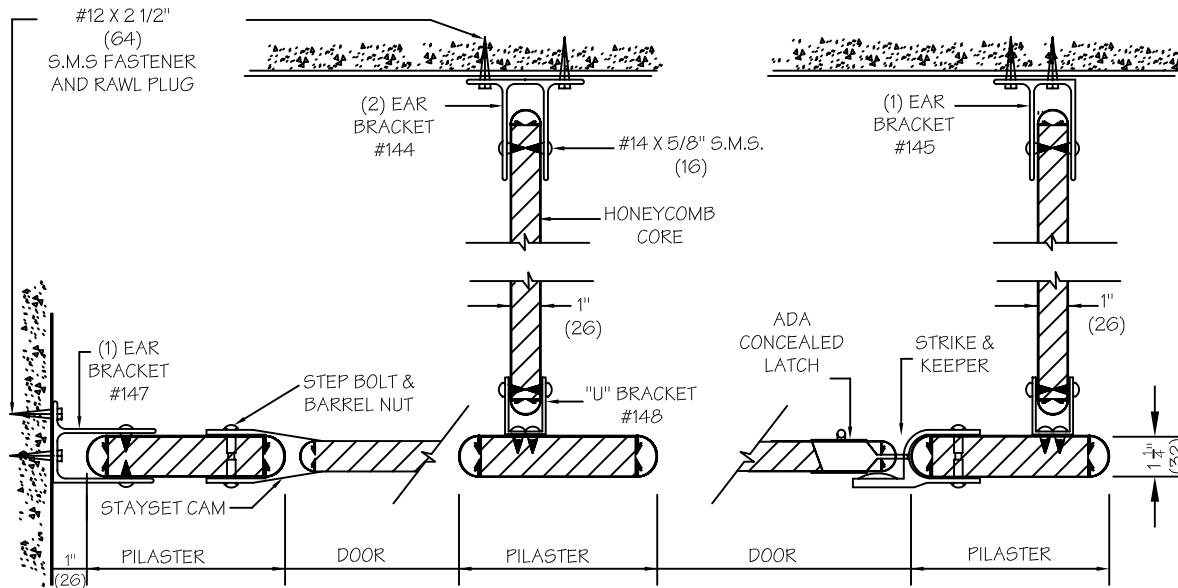


SIDE ELEVATION

NOTES: This drawing is a standard detail intended to show general construction and specification information. See shop drawings for actual job layout and specific job conditions which supercede any conflicting information on this sheet.

Blocking (by others) shown for standard CPZ stirrup brackets. for full height or any other bracket, consult with Metpar distributors for blocking information and locations.

@ DRYWALL USE BLOCKING



METPAR CORP

95 State Street, Westbury, NY 11590
 Tel: 516-333-2600 Fax: 516-333-2618
 www.Metpar.com ~ Sales@Metpar.com

STAINLESS STEEL

Standard Typical Detail - CH700
 The Forum