

STAINLESS STEEL TOILET ENCLOSURES

Floor-To-Ceiling **METPAR TYPE: FT Bottom / FP Top**

MATERIALS: Stainless Steel Type 304

THICKNESS: Doors..... 22 Gauge, Finished to 1" (25.4mm)
 Panels..... 20 Gauge, Finished to 1" (25.4mm)
 Pilasters..... 20 Gauge, Finished to 1 ¼" (31.75mm)

CONSTRUCTION:

Doors:

Finished to 1" (25.4) thick, constructed of two sheets of 22-gauge, type 304 stainless steel formed and cemented under pressure to a honeycomb core. Door face sheets are welded at intervals around the entire perimeter. All edges to be finished with a 20-gauge stainless steel interlocking molding. Corners are finished with pre-formed stainless steel (type 304) reinforcements. Doors shall have internal steel reinforcements to secure hardware items.

Panels:

Finished to 1" (25.4) thick, constructed of 2 sheets of 20-gauge type 304 stainless steel, formed and cemented under pressure to a honeycomb core. All partition edges are finished with a 20-gauge stainless steel interlocking molding. Corners will be finished with pre-formed stainless steel (type 304) reinforcements.

Pilasters:

Finished to 1¼"(31.75) thick, constructed of two sheets of 20-gauge, type 304 stainless steel, formed and assembled with a honeycomb core. Face sheets are electrically welded at intervals around the entire perimeter. All pilasters will have a 3" (76.2) high #4 finish stainless steel plinth (type 304) and have straight, flat sides profile with rounded edges to match the pilaster profile. Floor mounting with 12-gauge steel channels formed and electrically welded to the pilaster face sheets. Zinc plated 3/8" (9.52) diameter studs, lock washers and nuts are provided. Ceiling mounting will be with #12 x 2½" (63.5) screws and shields. Pilaster top will have leveling bolts threaded to the pilaster support bracket at the top.

FITTINGS:

Wall fittings are die cast chrome plated.

HARDWARE:

Each compartment will be complete with all hardware, door hinges, latch, stop and keeper, coat hook, as well as all necessary fittings and fastenings for a complete installation. Hinges and door strikes are fastened by means of tamper-proof Torx Pin head through bolts, which are polished chrome plated. All other screws to be tamper-proof Torx Pin head chrome plated. Doors are to be hung on a concealed, "stay-set", fully adjustable, non-rising door mechanism. Upper hinge pin shall be 3/8" (9.525) diameter steel. All hinges will have wrap-around flanges with a minimum of 5/8" (15.875) wrap onto pilaster. All doors will have a concealed ADA approved slide latch with external "in-use" indicator.

FINISH:

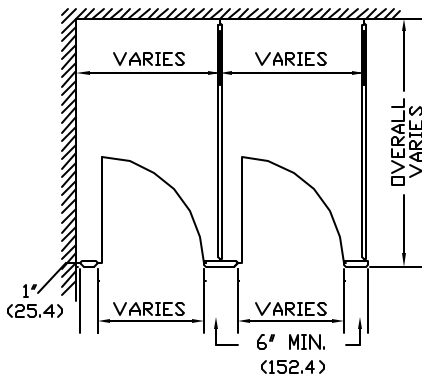
All stainless steel material will have a #4 satin finish.



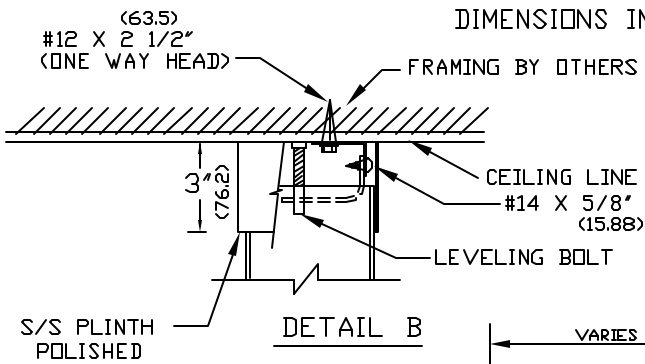
METPAR CORP.

95 State Street
Westbury, NY 11590
Tel: (516) 333-2600
Fax : (516) 333-2618

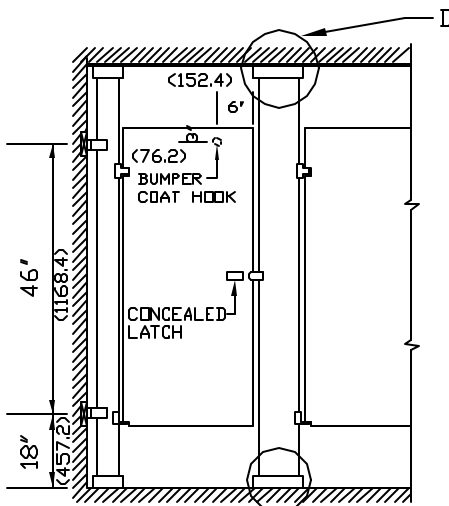
DIMENSIONS IN () = MILLIMETERS



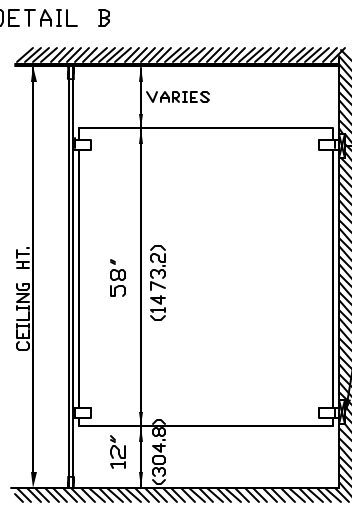
FLOOR PLAN



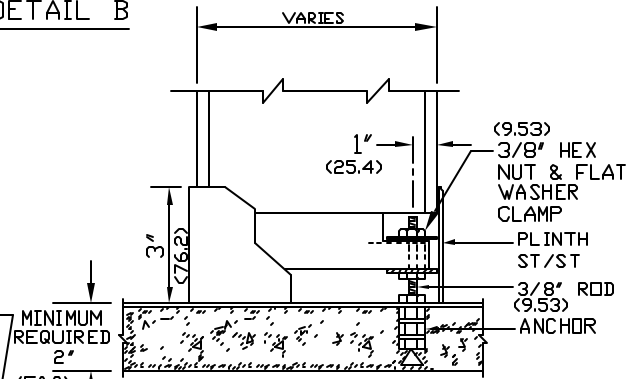
DETAIL B



FRONT ELEVATION



SIDE ELEVATION

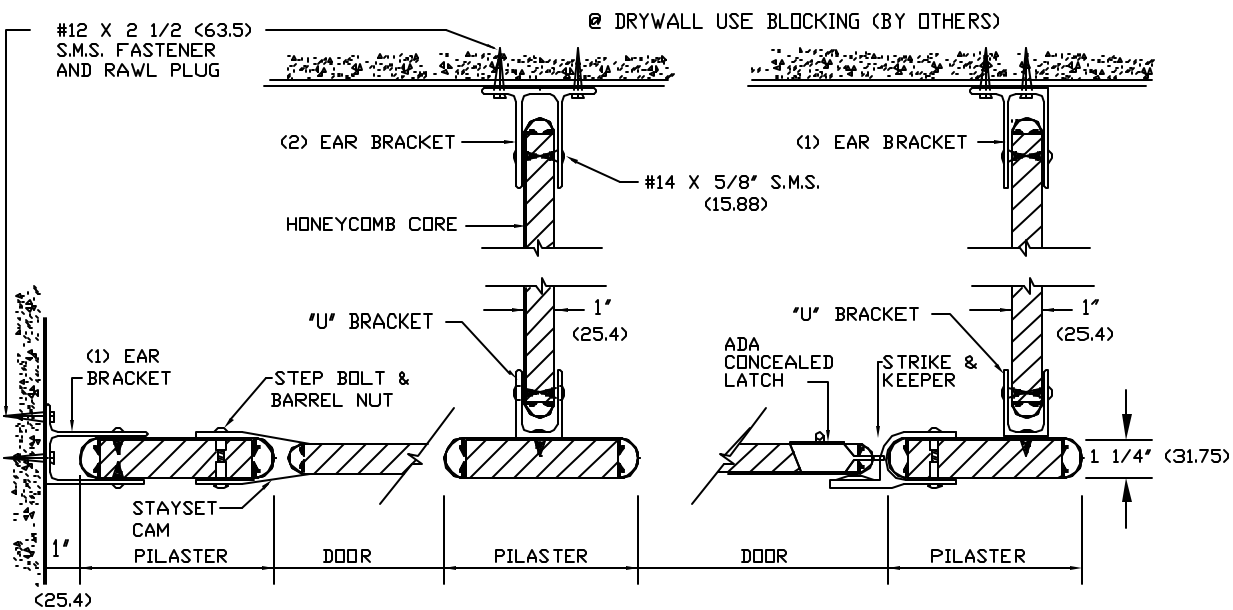


DETAIL A

BLOCKING BY OTHERS (TYP) @ DRYWALL

NOTE:

THIS DRAWING IS A STANDARD DETAIL INTENDED TO SHOW GENERAL CONSTRUCTION AND SPECIFICATION INFORMATION. SEE SHOP DRAWINGS FOR ACTUAL JOB LAYOUT AND SPECIFIC JOB CONDITIONS WHICH SUPERCEDE ANY CONFLICTING INFORMATION ON THIS DETAIL SHEET.



METPAR CORP

95 State Street, Westbury, NY 11590
Tel: 516-333-2600 Fax: 516-333-2618

STAINLESS STEEL

SPECIAL DETAIL FT BOTTOM FP TOP
FLOOR TO CEILING