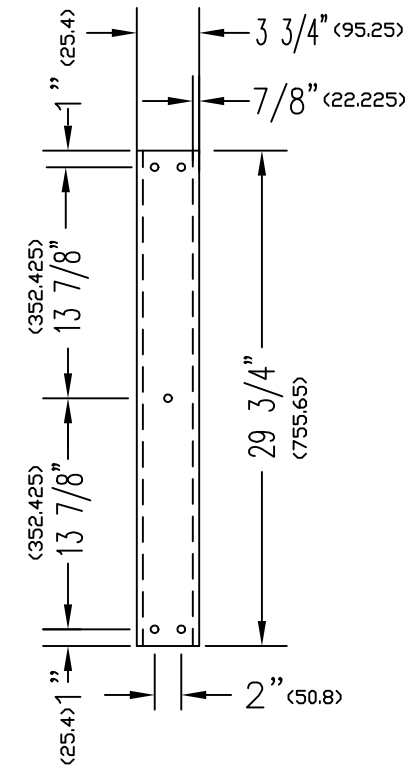
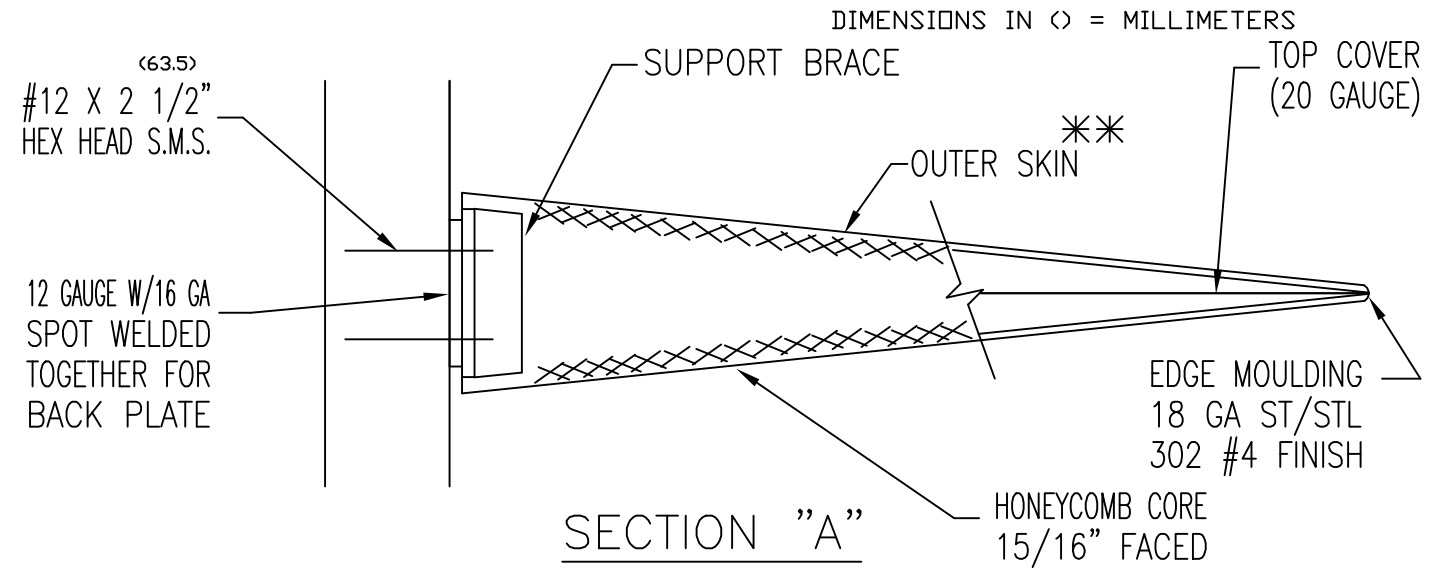
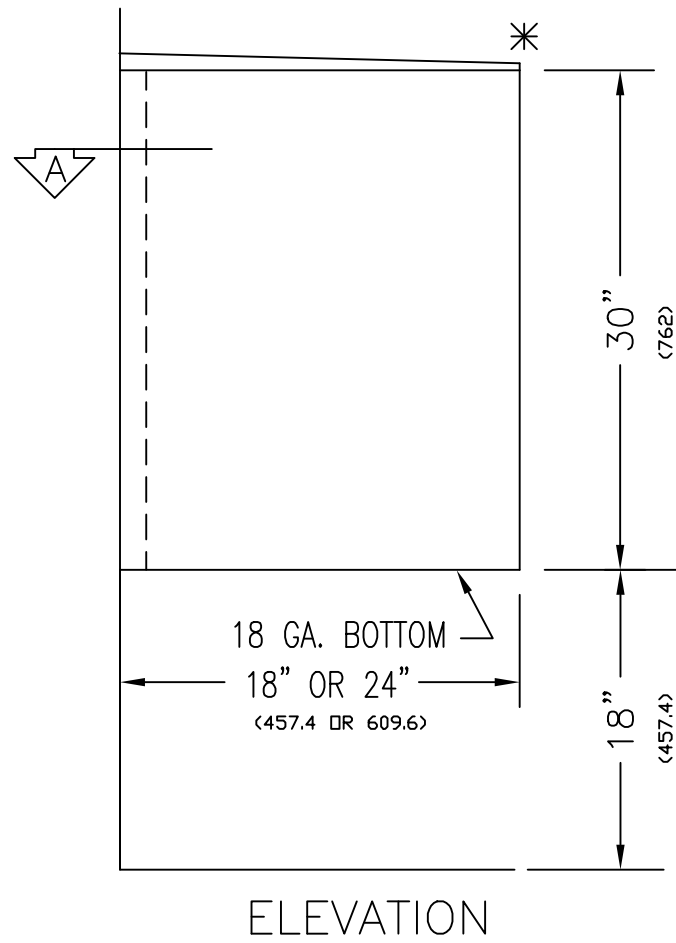


\*\*  
NOTE:  
AVAILABLE IN 2 FINISHES: POWDER SHIELD  
USING 20 GAUGE BONDERIZED, GALVINIZED  
STEEL OR 18 GAUGE STAINLESS STEEL 302 #4  
SATIN FINISH.



**METPAR CORP.**

95 State Street, Westbury, LI, NY 11590

TITLE: SSVSCRN.DWG

DATE: 8/24/00

**"V" TYPE URINAL SCREEN**