

Extend-A-Panel Kit

Parts List and assembly instructions

Bill of Materials (Full package = 2110EP)

1pc - #2112 - SS Panel 10" x 58"

1pc - 12664 - SS "H" Brkt 57" (Spot-Weld 2pcs #12653 SS U-Channel)

1pc hardware kit (#15516) includes the following;

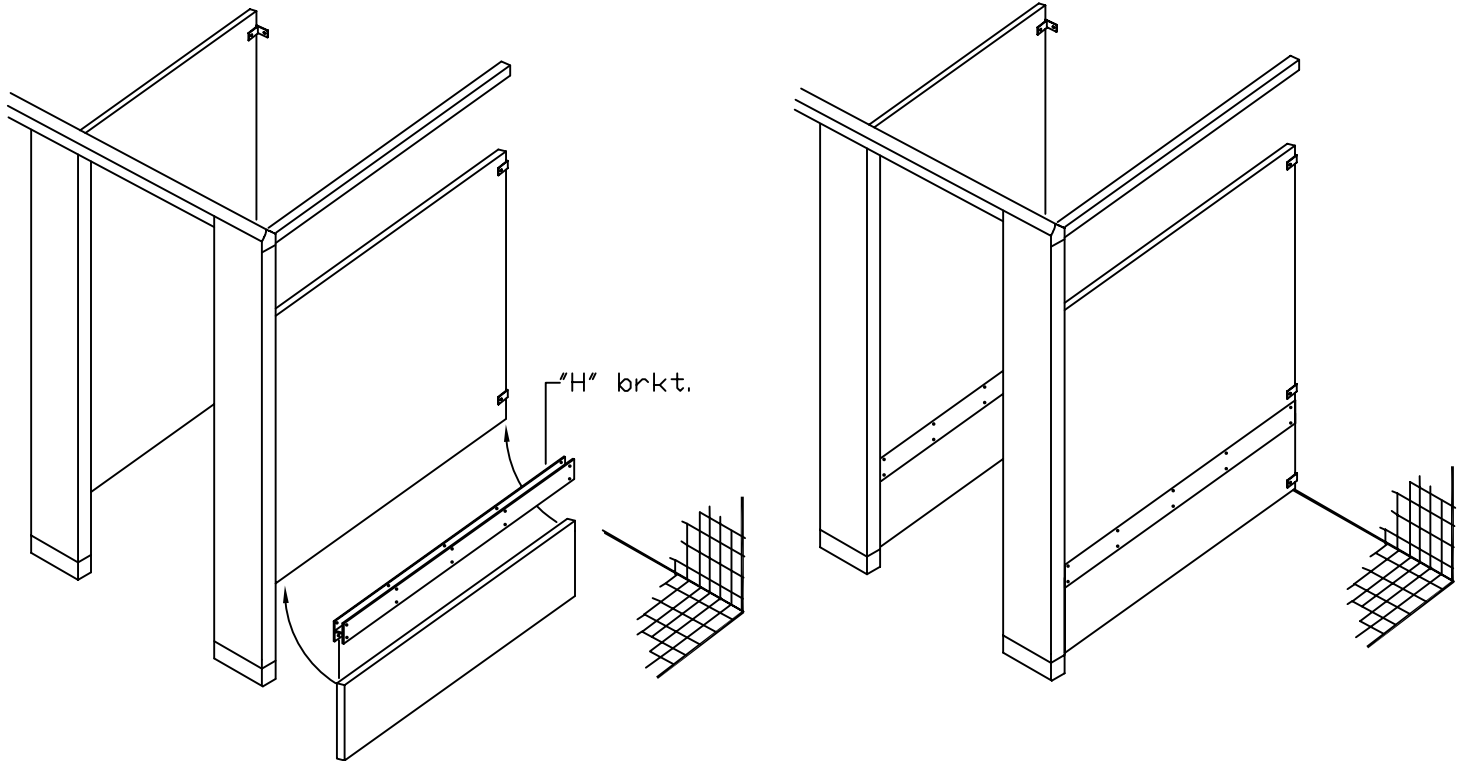
2pc - #12570 - #144 SS 2-ear Brkt (1pc panel-to-wall, 1pc panel-to-stile)

1pc - #12600 - #145 SS 1-ear Brkt (1pc panel-to-stile if #144 cannot be used)

26pcs - 10507X - #14 x 5/8" SS SMS (20pcs for H-Brkt, 2pcs for #144 @ wall, 4pcs for #144 (or #145) @ stile)

2pcs - #10531X - #12 x 2" SS SMS (2pcs for #144 @ wall)

2pcs - 11500 - #12 Plastic Plug (2pcs for #144 @ wall)



BEFORE

AFTER

Assembly Instructions:

1. Place "H" bracket over new filler panel and fasten with #14 x $\frac{5}{8}$ " sheet metal screws provided.
2. Place 1pc of #144 (2-ear) bracket onto end of panel where it will attach to the wall and fasten to panel through sides.
3. Place 1pc of #144 (2-ear) or #145 (1-ear if room does not allow 2-ear) at opposite end of panel where it will attach to back of pilaster. IMPORTANT: Locate this bracket high enough to clear the plinth (shoe) on the bottom of the pilaster. Attach this bracket to the panel through the sides.
4. Position the panel assembly under the existing panel, sliding it up so that the "H" bracket slides onto the bottom edge of the existing panel. Use blocking or some other form of wedge to keep the panel elevated and level at about 1" above the floor. Then fasten the "H" bracket to the existing panel with sheet metal screws.
5. Fasten the stirrup brackets at either end to the pilaster and wall.



METPAR CORP.

95 State Street, Westbury, NY 11590

Tel: 516-333-2600 Fax: 516-333-2618 ~ www.Metpar.com ~ Sales@Metpar.com