

Dur-A-Tex™

TEXTURED POWDER SHIELD TOILET ENCLOSURES

THE LUXOR METPAR TYPE: FT-700 Floor Mounted

MATERIALS: Bonderized, Galvanized Textured Steel with 5SM Diamond Pattern

THICKNESS: Doors..... 22 Gauge, Finished to 1" (25.4mm)
Panels..... 22 Gauge, Finished to 1" (25.4mm)
Pilasters..... 22 Gauge, Finished to 1 ¼" (31.75mm)

CONSTRUCTION:

Doors:

Finished to 1"(25.4) thick, constructed of two sheets of 22-gauge, bonderized, galvanized textured steel cemented under pressure to a honeycomb core. Door face sheets are welded at intervals around the entire perimeter. All edges to be finished with a 20-gauge interlocking molding. Corners are finished with pre-formed painted stainless steel (type 304) reinforcements. Corners are to be welded internally to ensure that the galvanized rust resistant coating is not removed. Doors shall have internal steel reinforcements to secure hardware items.

Panels:

Finished to 1" (25.4) thick, constructed of 2 sheets of 22-gauge bonderized, galvanized textured steel cemented under pressure to a honeycomb core. All partition edges are finished with a 20-gauge interlocking molding. Corners are finished with pre-formed painted stainless steel (type 304) reinforcements. Panels larger than 59" deep will require the pattern to run in a horizontal direction.

Pilasters:

Finished to 1 ¼" (31.75) thick, constructed of two sheets of 22-gauge, bonderized, galvanized textured steel assembled with a honeycomb core. Face sheets are electrically welded at intervals around the entire perimeter. All pilasters will have a 4" (102) high #4 finish stainless steel plinth (type 304) and have straight, flat sides with rounded edges to match the pilaster profile. Mounting channels are 12-gauge steel electrically welded to the pilaster face sheets. Zinc plated 3/8" (9.525) diameter studs, lock washers, nuts and lead expansion shields are provided.

FITTINGS:

Wall fittings are die cast chrome plated. Minimum of two fittings at each connection.

HARDWARE:

Each compartment will be complete with all hardware, door hinges, latch, stop and keeper, coat hook, as well as all necessary fittings and fastenings for a complete installation. Hinges and door strikes are fastened by means of tamper-proof Torx-Pin Head through bolts, which are polished chrome plated. All other screws to be tamper-proof Torx-Pin Head chrome plated. Doors are to be hung on a concealed, "stay-set", fully adjustable, non-rising door mechanism. Upper hinge pin shall be 3/8" (9.525) diameter steel. All hinges will have wrap-around flanges with a minimum of 5/8" (15.875) wrap onto pilaster. All doors will have a concealed ADA approved slide latch with external "in-use" indicator.

FINISH:

All rust inhibitive coated material shall be chemically cleaned and painted with a 2-coat paint process using multiple coats of Epoxy Hybrid Powder applied electrostatically and a graffiti-resistant clear coat high gloss polyester coating.



METPAR CORP

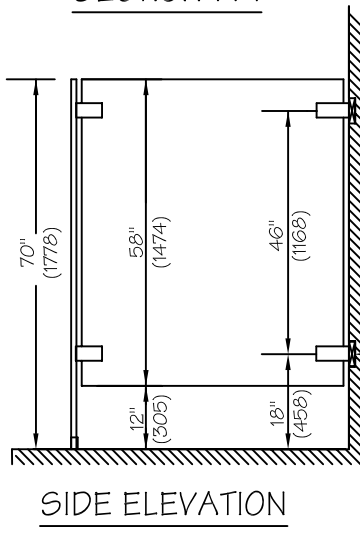
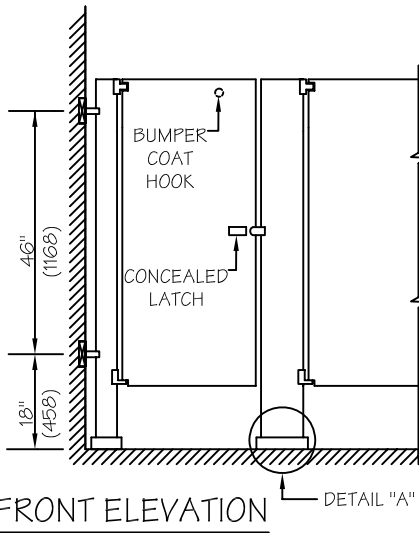
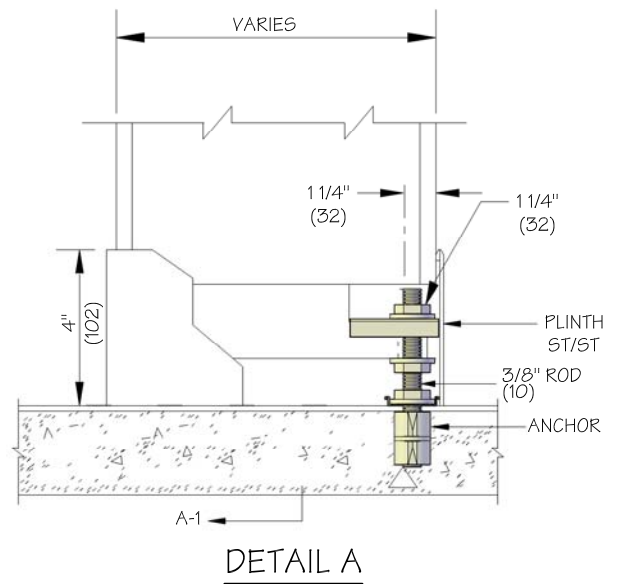
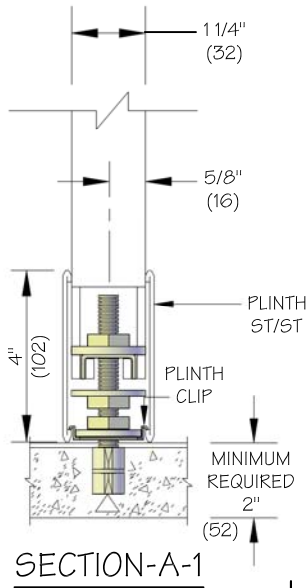
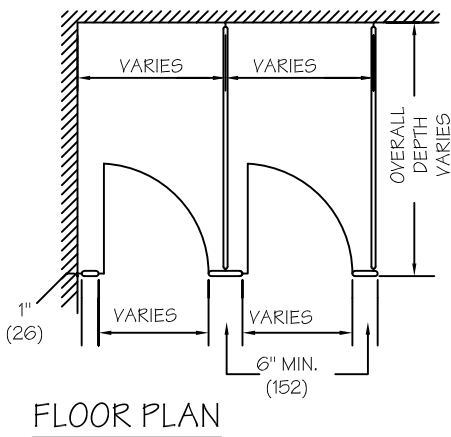
95 State Street, P.O. Box 1873

Westbury, New York, 11590

Tel: (516) 333-2600 ~ Fax: (516) 333-2618

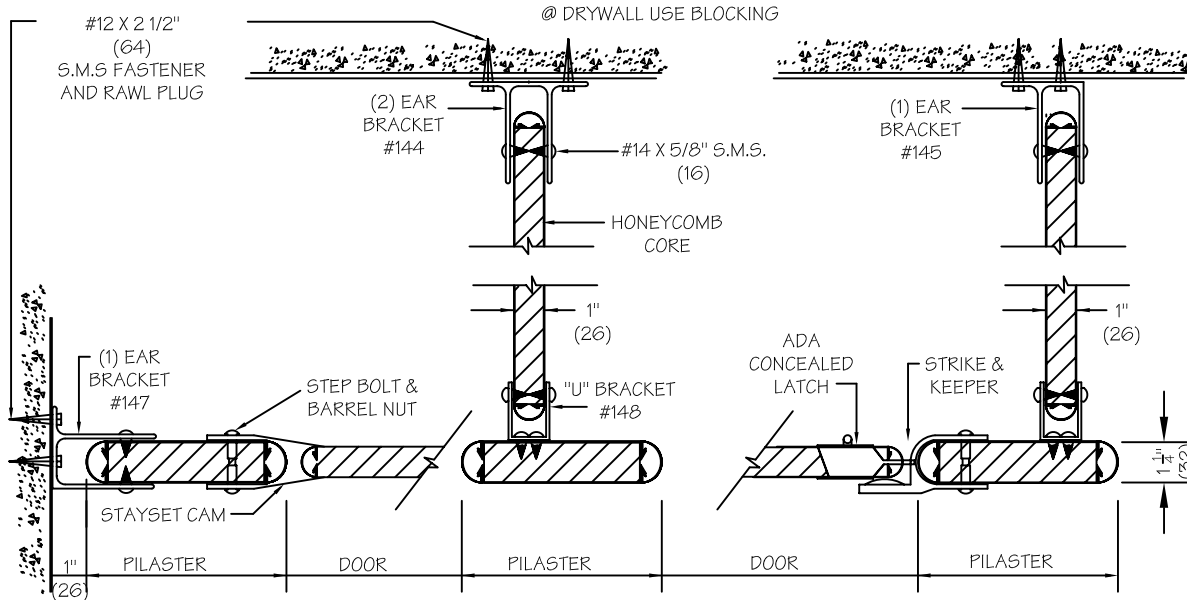
Email: Sales@Metpar.com ~ URL: <http://www.Metpar.com>

DIMENSIONS IN () = MILLIMETERS



NOTES: This drawing is a standard detail intended to show general construction and specification information. see shop drawings for actual job layout and specific job conditions which supercede any conflicting information on this sheet.

Blocking (by others) shown for standard CPZ stirrup brackets. for full height or any other bracket, consult with Metpar distributors for blocking information and locations.



METPAR CORP

95 State Street, Westbury, NY 11590

Tel: 516-333-2600 Fax: 516-333-2618

www.Metpar.com ~ Sales@Metpar.com

POWDER SHIELD

Standard Typical Detail - FT700
The Luxor