

# STAINLESS STEEL TOILET ENCLOSURES

## *THE LUXOR*      METPAR TYPE: FT-700      Floor Mounted

**MATERIALS:**      Stainless Steel Type 304

**THICKNESS:**      Doors..... 22 Gauge, Finished to 1" (25.4mm)  
Panels..... 20 Gauge, Finished to 1" (25.4mm)  
Pilasters..... 18 Gauge, Finished to 1 1/4" (31.75mm)

### **CONSTRUCTION:**

#### Doors:

Finished to 1" (25.4) thick, constructed of two sheets of 22-gauge, type 304 stainless steel formed and cemented under pressure to a honeycomb core. Door face sheets are welded at intervals around the entire perimeter. All edges to be finished with a 20-gauge stainless steel interlocking molding. Corners are finished with pre-formed stainless steel type 304 reinforcements. Doors shall have internal steel reinforcements to secure hardware items.

#### Panels:

Finished to 1" (25.4) thick, constructed of 2 sheets of 20-gauge type 304 stainless steel, formed and cemented under pressure to a honeycomb core. All partition edges are finished with a 20-gauge stainless steel interlocking molding. Corners will be finished with pre-formed stainless steel (type 304) reinforcements.

#### Pilasters:

Finished to 1/4" (31.75) thick, constructed of two sheets of 18-gauge, type 304 stainless steel, formed and assembled with a honeycomb core. Face sheets are electrically welded at intervals around the entire perimeter. All pilasters will have a 3" (76.2) high #4 finish stainless steel plinth (18-8 type 304) and have straight, flat sides profile with rounded edges to match the pilaster profile. Mounting channels are 12-gauge steel electrically welded to the pilaster face sheets. Zinc plated 3/8" (9.525) diameter studs, lock washers, nuts and lead expansion shields are provided.

### **FITTINGS:**

Wall fittings are die cast chrome plated.

### **HARDWARE:**

Each compartment will be complete with all hardware, door hinges, latch, stop and keeper, coat hook, as well as all necessary fittings and fastenings for a complete installation. Hinges and door strikes are fastened by means of tamper-proof Torx-Pin Head through bolts, which are polished chrome plated. All other screws to be tamper-proof Torx-Pin Head chrome plated. Doors are to be hung on a concealed, "stay-set", fully adjustable, non-rising door mechanism. Upper hinge pin shall be 3/8" (9.525) diameter steel. All hinges will have wrap-around flanges with a minimum of 5/8" (15.875) wrap onto pilaster. All doors will have a concealed ADA approved slide latch with external "in-use" indicator.

### **FINISH:**

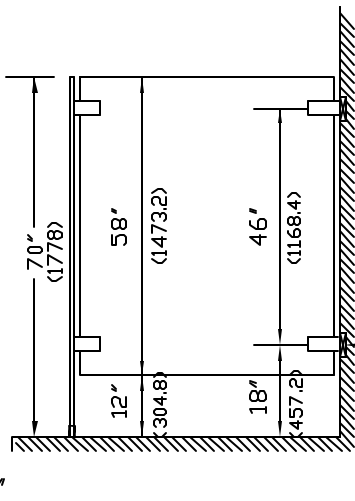
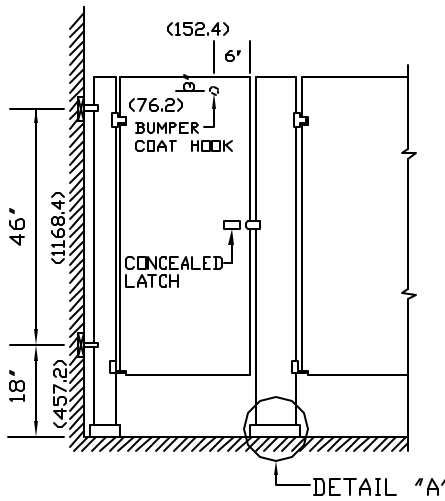
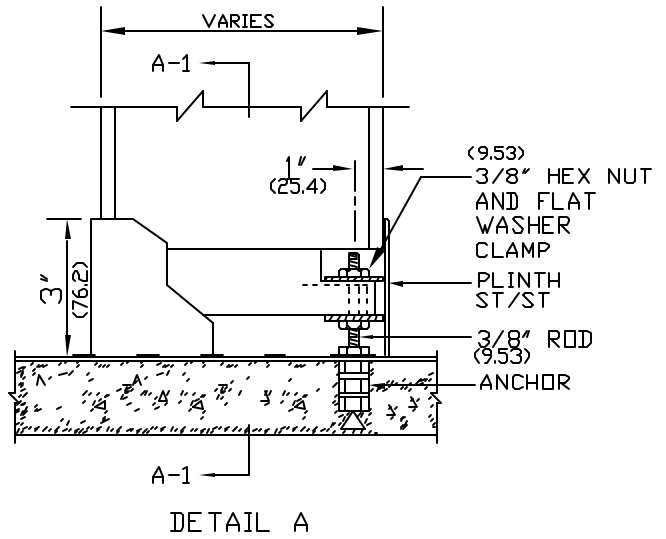
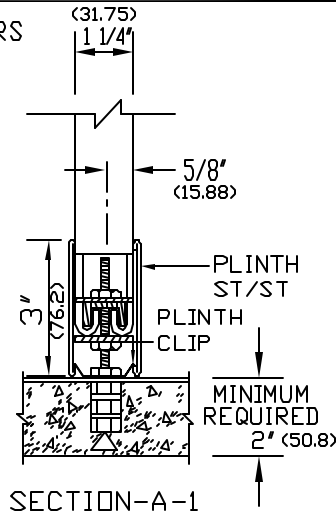
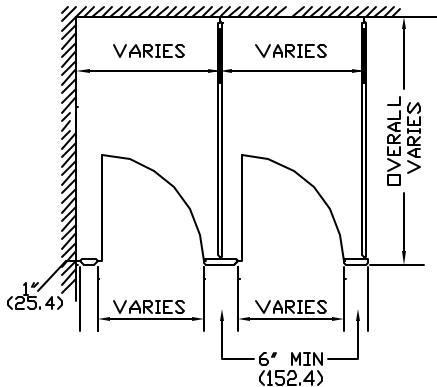
All stainless steel material will have a #4 satin finish.



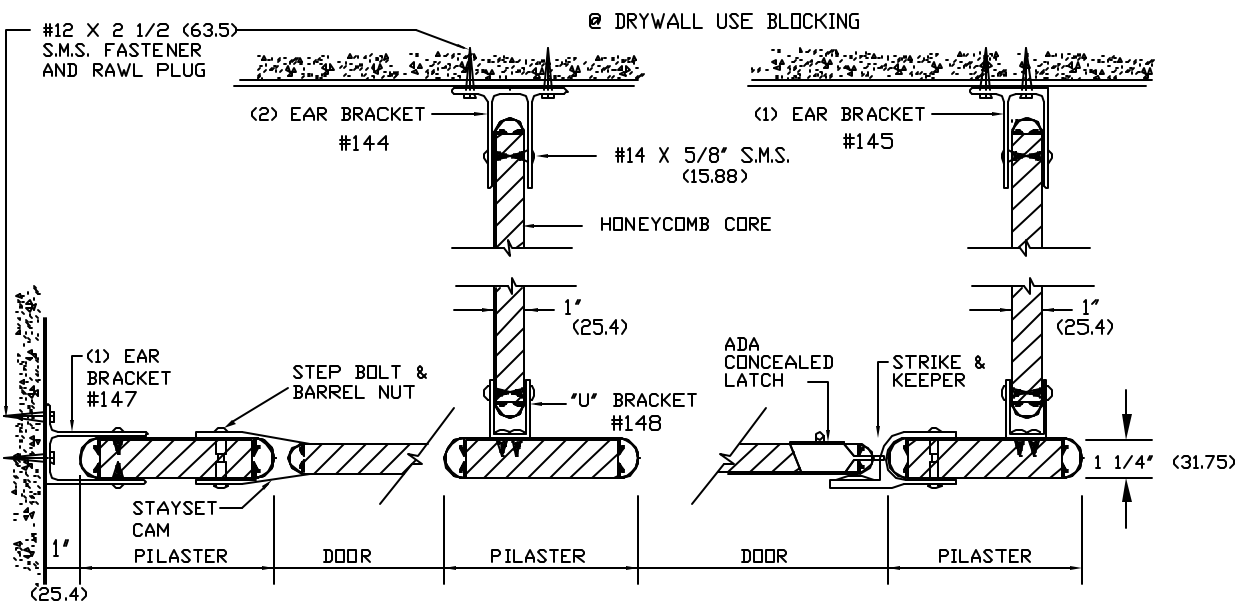
## METPAR CORP.

95 State Street  
Westbury, NY 11590  
Tel: (516) 333-2600  
Fax : (516) 333-2618

DIMENSIONS IN ( ) = MILLIMETERS



NOTE:  
THIS DRAWING IS A STANDARD DETAIL INTENDED TO SHOW GENERAL CONSTRUCTION AND SPECIFICATION INFORMATION, SEE SHOP DRAWING FOR ACTUAL JOB LAYOUTS AND SPECIFIC JOB CONDITIONS WHICH SUPERCEDE ANY CONFLICTING INFORMATION ON THIS DETAIL SHEET.



**METPAR CORP**

95 State Street, Westbury, NY 11590

Tel: 516-333-2600 Fax: 516-333-2618

STAINLESS STEEL

STANDARD DETAIL FT-700

THE LUXOR

FT-700SS.DWG

5/00