

STAINLESS STEEL TOILET ENCLOSURES

THE FORUM METPAR TYPE: CH-700 Ceiling Hung

MATERIALS: Stainless Steel Type 304

THICKNESS: Doors..... 22 Gauge, Finished to 1" (25.4mm)
 Panels..... 20 Gauge, Finished to 1" (25.4mm)
 Pilasters..... 18 Gauge, Finished to 1 1/4" (31.75mm)

CONSTRUCTION:

Doors:

Finished to 1" (25.4) thick, constructed of two sheets of 22-gauge, type 304 stainless steel formed and cemented under pressure to a honeycomb core. Door face sheets are welded at intervals around the entire perimeter. All edges to be finished with a 20-gauge stainless steel interlocking molding. Corners are finished with pre-formed stainless steel (type 304) reinforcements. Doors shall have internal steel reinforcements to secure hardware items.

Panels:

Finished to 1" (25.4) thick, constructed of 2 sheets of 20-gauge type 304 stainless steel, formed and cemented under pressure to a honeycomb core. All partition edges are finished with a 20-gauge stainless steel interlocking molding. Corners will be finished with pre-formed stainless steel (type 304) reinforcements.

Pilasters:

Finished to 1/4" (31.75) thick, constructed of two sheets of 18-gauge, type 304 stainless steel, formed and assembled with a honeycomb core. Face sheets are electrically welded at intervals around the entire perimeter. All pilasters will have a 3" (76.2) high #4 finish stainless steel plinth (18-8 type 304) and have straight, flat sides with rounded edges to match the pilaster profile. Mounting channels are 12-gauge steel formed and electrically welded to the pilaster face sheets. Zinc plated 3/8" (9.52) diameter studs, lock washers and nuts are provided.

FITTINGS:

Wall fittings are die cast chrome plated.

HARDWARE:

Each compartment will be complete with all hardware, door hinges, latch, stop and keeper, coat hook, as well as all necessary fittings and fastenings for a complete installation. Hinges and door strikes are fastened by means of tamper-proof Torx-Pin Head through bolts, which are polished chrome plated. All other screws to be tamper-proof Torx-Pin Head chrome plated. Doors are to be hung on a concealed, "stay-set", fully adjustable, non-rising door mechanism. Upper hinge pin shall be 3/8" (9.525) diameter steel. All hinges will have wrap-around flanges with a minimum of 5/8" (15.875) wrap onto pilaster. All doors will have a concealed ADA approved slide latch with external "in-use" indicator.

FINISH:

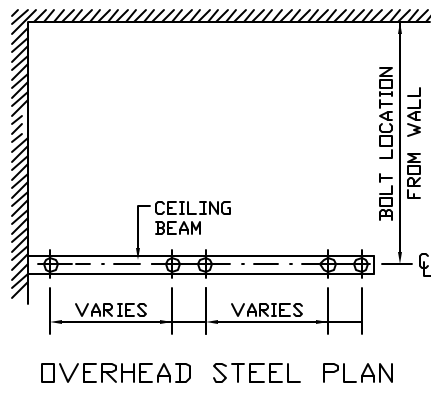
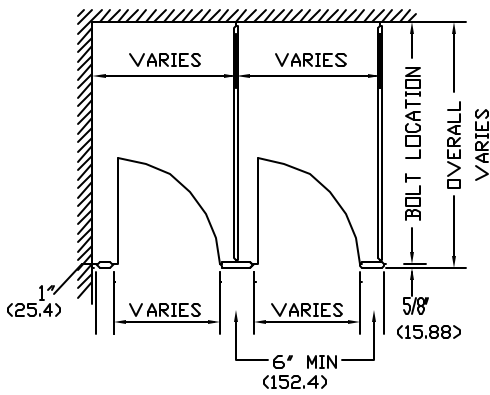
All stainless steel material will have a #4 satin finish.



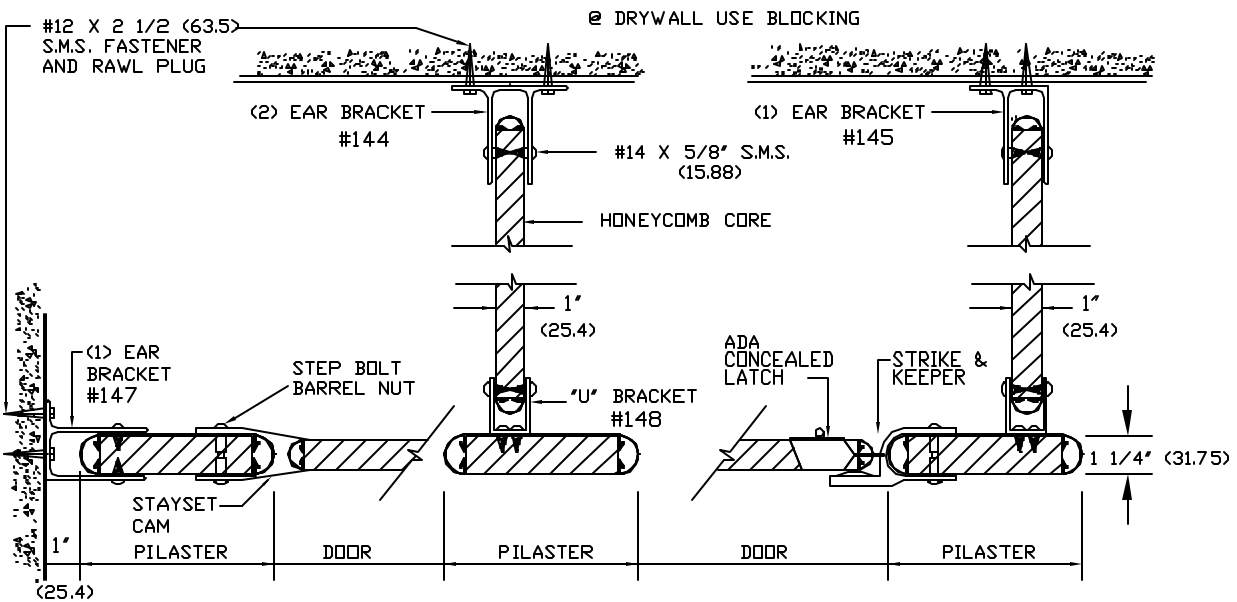
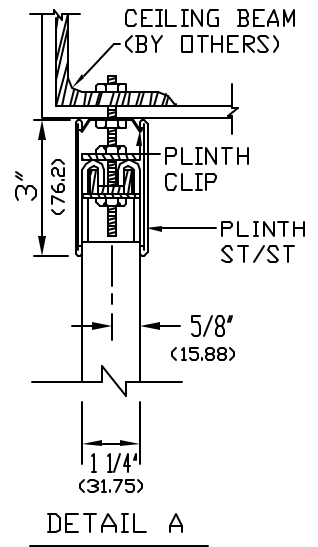
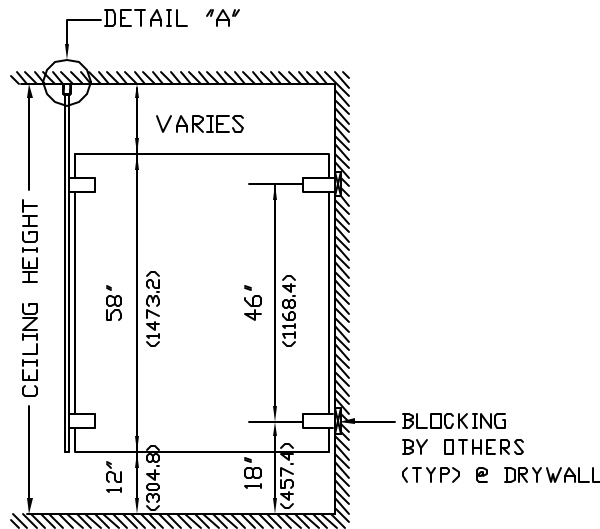
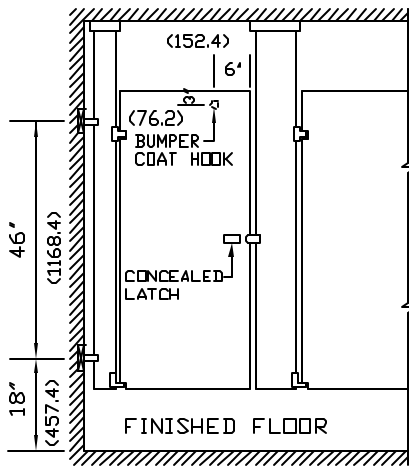
METPAR CORP.

95 State Street
Westbury, NY 11590
Tel: (516) 333-2600
Fax : (516) 333-2618

DIMENSIONS IN () = MILLIMETERS



NOTE:
THIS DRAWING IS A STANDARD
DETAIL INTENDED TO SHOW
GENERAL CONSTRUCTION AND
SPECIFICATION INFORMATION. SEE
SHOP DRAWING FOR ACTUAL JOB
LAYOUTS AND SPECIFIC JOB
CONDITIONS WHICH SUPERCEDE
ANY CONFLICTING INFORMATION
ON THIS DETAIL SHEET.



METPAR CORP

95 State Street, Westbury, NY 11590

Tel: 516-333-2600 Fax: 516-333-2618

STAINLESS STEEL

STANDARD DETAIL CH-700

THE FORUM

CH700SS.DWG

5/00