

# PLASTIC LAMINATE TOILET ENCLOSURES

## *THE LUXOR* METPAR TYPE: FT-700 Floor Mounted

**MATERIALS:** Plastic Laminate over particle board.

**THICKNESS:** Doors..... Finished to 7/8" (22.225mm)  
Panels..... Finished to 7/8" (22.225mm)  
Pilasters..... Finished to 1 1/4" (31.75mm)

### CONSTRUCTION:

#### Doors:

Finished to 7/8" (22.225) thick, constructed of .050" (1.27) high-pressure decorative laminate over three-ply core, resin impregnated, 45-pound density particle board; *NEMA* approved and used exclusively. Edge laminates are applied before face laminates.

#### Panels:

Finished to 7/8" (22.225) thick, constructed of .050" (1.27) high-pressure decorative laminate over three-ply core, resin impregnated, 45-pound density particle board; *NEMA* approved and used exclusively. Edge laminates are applied before face laminates.

#### Pilasters:

Finished to 1 1/4" (31.75) thick, constructed of .050" (1.27) high-pressure decorative laminate over three-ply core, resin impregnated, 45 pound density particle board; *NEMA* approved and used exclusively. Edge laminates are applied before face laminates. All pilasters will have a 3" (76.2) high #4 finish stainless steel plinth (type 304) and have a straight profile with square edges to match the pilaster profile. Pilasters are to be secured to the floor by a 3/8" (9.525) steel anchor bar mechanism fastened to cylindrical anchors implanted through the complete thickness of the pilaster. Tension nuts are used to apply equal and opposite pressure to all points of mounting system. Zinc plated 3/8" (9.525) diameter studs, lockwashers, nuts and leadexpansion shields are provided.

### FITTINGS:

Wall and pilaster-to-panel fittings are chrome-plated zamac die castings. All connections must be with 1-ear or 2-ear brackets.

### HARDWARE:

Each compartment will be complete with all hardware, door hinges, latch, stop and keeper, coat hook, as well as all necessary fittings and fastenings for a complete installation. Hinges and door strikes are fastened by means of tamper-proof Torx-Pin Head through bolts, which are polished chrome plated. All other screws to be tamper-proof Torx-Pin Head chrome plated. Doors are to be hung on concealed gravity hinges. Upper hinge shall use a 3/8" (9.525) diameter steel pin. All hinges will have wrap-around flanges with a minimum of 5/8" (15.875) wrap onto all pilasters.

### OPTIONAL:

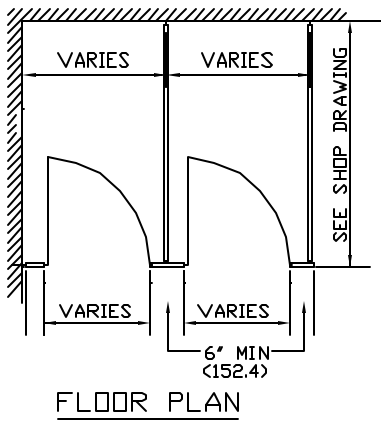
Steel Core pilasters with 11 gauge steel core; full height and width of pilasters; supplied only on 6" (152.4) wide or larger pilasters. Stainless (type 304) edging around perimeter.



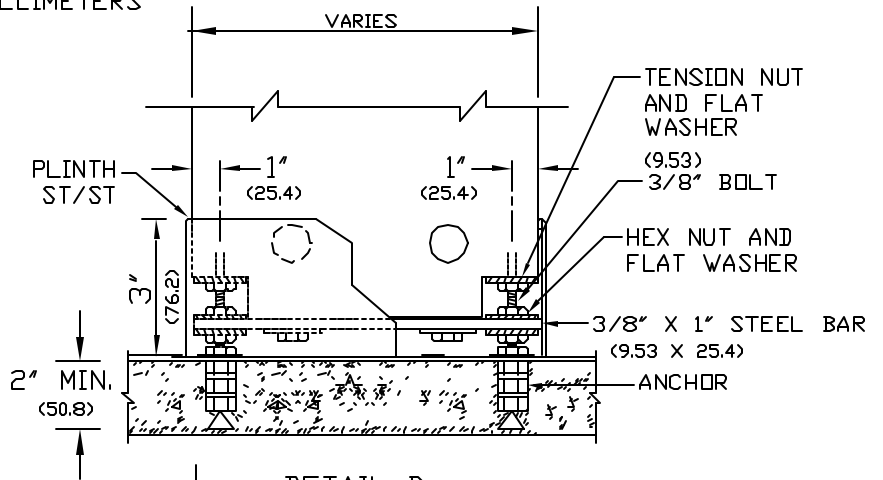
### METPAR CORP.

95 State Street  
Westbury, NY 11590  
Tel: (516) 333-2600  
Fax : (516) 333-2618

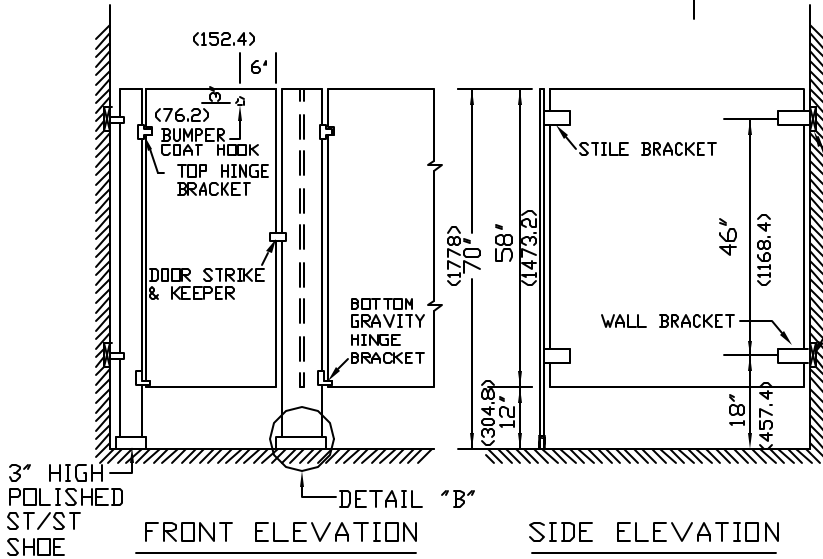
DIMENSIONS IN ( ) = MILLIMETERS



FLOOR PLAN



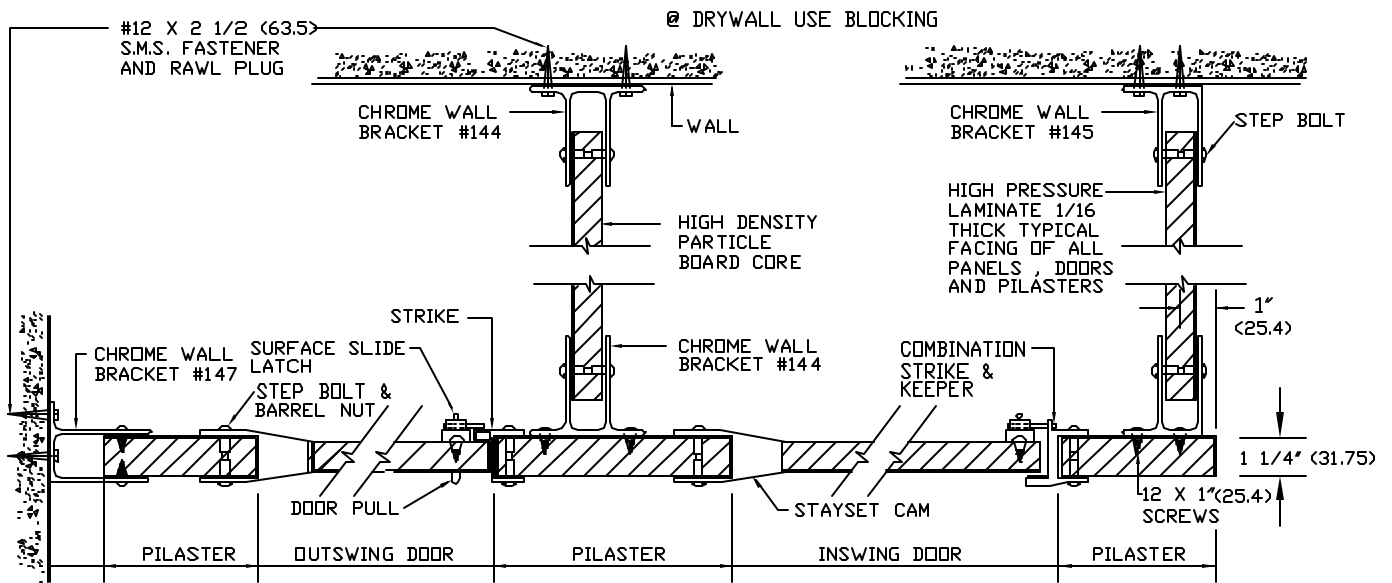
DETAIL B



FRONT ELEVATION

SIDE ELEVATION

NOTE:  
THIS DRAWING IS A STANDARD DETAIL INTENDED TO SHOW GENERAL CONSTRUCTION AND SPECIFICATION INFORMATION. SEE SHOP DRAWINGS FOR ACTUAL JOB LAYOUT AND SPECIFIC JOB CONDITIONS WHICH SUPERCEDE ANY CONFLICTING INFORMATION ON THIS DETAIL SHEET.



**METPAR CORP**  
 95 State Street, Westbury, NY 11590  
 Tel: 516-333-2600 Fax: 516-333-2618

**PLASTIC LAMINATE**  
 STANDARD DETAIL FT-700  
 THE LUXOR  
 FT700PL.DWG 5/00