

PLASTIC LAMINATE TOILET ENCLOSURES

THE FORUM **METPAR TYPE: CH-700** **Ceiling Hung**

MATERIALS: Plastic Laminate over particle board.

THICKNESS: Doors..... Finished to 7/8" (22.225mm)
Panels..... Finished to 7/8" (22.225mm)
Pilasters..... Finished to 1 1/4" (31.75mm)

CONSTRUCTION:

Doors:

Finished to 7/8" (22.225) thick, constructed of .050" (1.27) high-pressure decorative laminate over three-ply core, resin impregnated, 45-pound density particle board; *NEMA* approved and used exclusively. Edge laminates are applied before face laminates.

Panels:

Finished to 7/8" (22.225) thick, constructed of .050" (1.27) high-pressure decorative laminate over three-ply core, resin impregnated, 45-pound density particle board; *NEMA* approved and used exclusively. Edge laminates are applied before face laminates.

Pilasters:

Finished to 1/4"(31.75) thick, constructed of .050" (1.27)high-pressure decorative laminate over three-ply core, resin impregnated, 45 pound density particle board; *NEMA* approved and used exclusively. Edge laminates are applied before face laminates. All pilasters will have a 3" (76.2) high #4 finish stainless steel plinth (type 304) and have a straight profile with square edges to match the pilaster profile. Pilasters are to be secured to structural ceiling members (supplied by others) using a 3/8" (9.52) steel bolts and pilaster leveling nuts. Lock washers are used with all nuts to prevent loosening by vibration. Bottom of doors are level with bottom of pilasters with no protruding hardware. Tension nuts are used to apply equal and opposite pressure to all points of mounting system. Zinc plated 3/8" (9.52) diameter studs, lockwashers and nuts are provided.

FITTINGS:

Wall and pilaster-to-panel fittings are chrome-plated zamac die castings. All connections must be with 1-ear or 2-ear brackets.

HARDWARE:

Each compartment will be complete with all hardware, door hinges, latch, stop and keeper, coat hook, as well as all necessary fittings and fastenings for a complete installation. Hinges and door strikes are fastened by means of tamper-proof Torx-Pin Head through bolts, which are polished chrome plated. All other screws to be tamper-proof Torx-Pin Head chrome plated. Doors are to be hung on concealed gravity hinges. Upper hinge shall use a 3/8" (9.525) diameter steel pin. All hinges will have wrap-around flanges with a minimum of 5/8" (15.875) wrap onto all pilasters.

OPTIONAL:

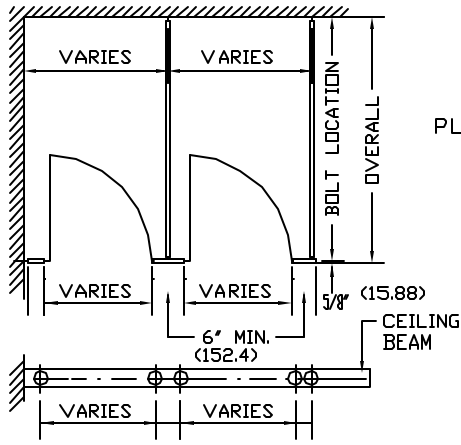
Steel Core pilasters with 11 gauge steel core; full height and width of pilasters; supplied only on 6" (152.4) wide or larger pilasters. Stainless (type 304) edging around perimeter.



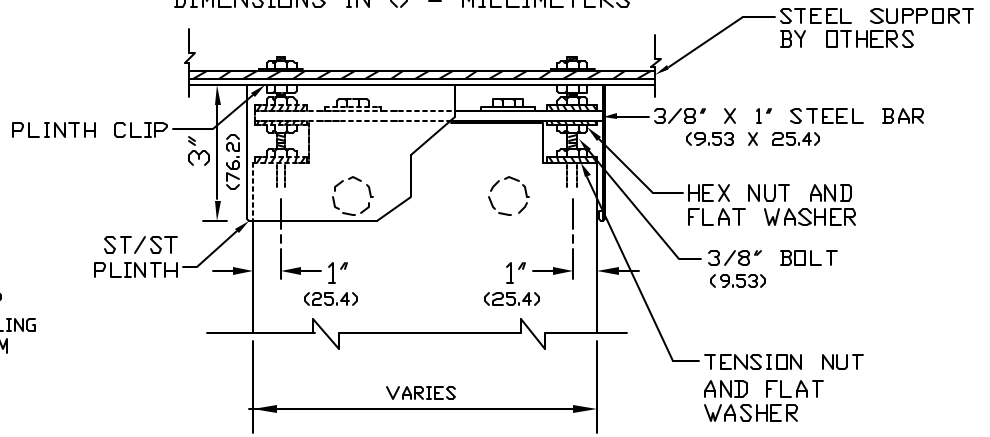
METPAR CORP.

95 State Street
Westbury, NY 11590
Tel: (516) 333-2600
Fax : (516) 333-2618

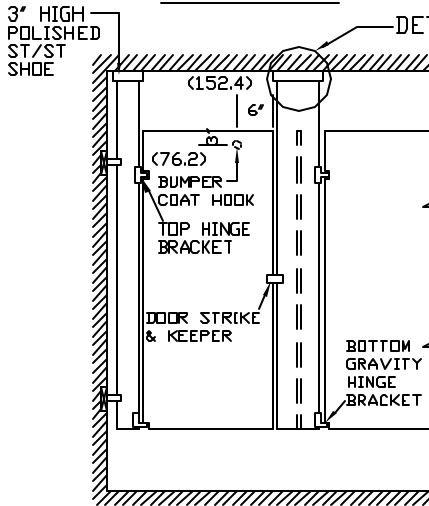
DIMENSIONS IN () = MILLIMETERS



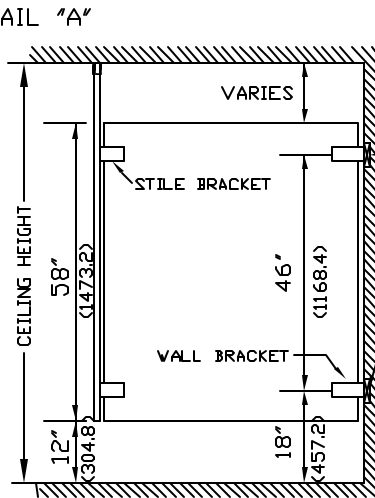
FLOOR PLAN



DETAIL A

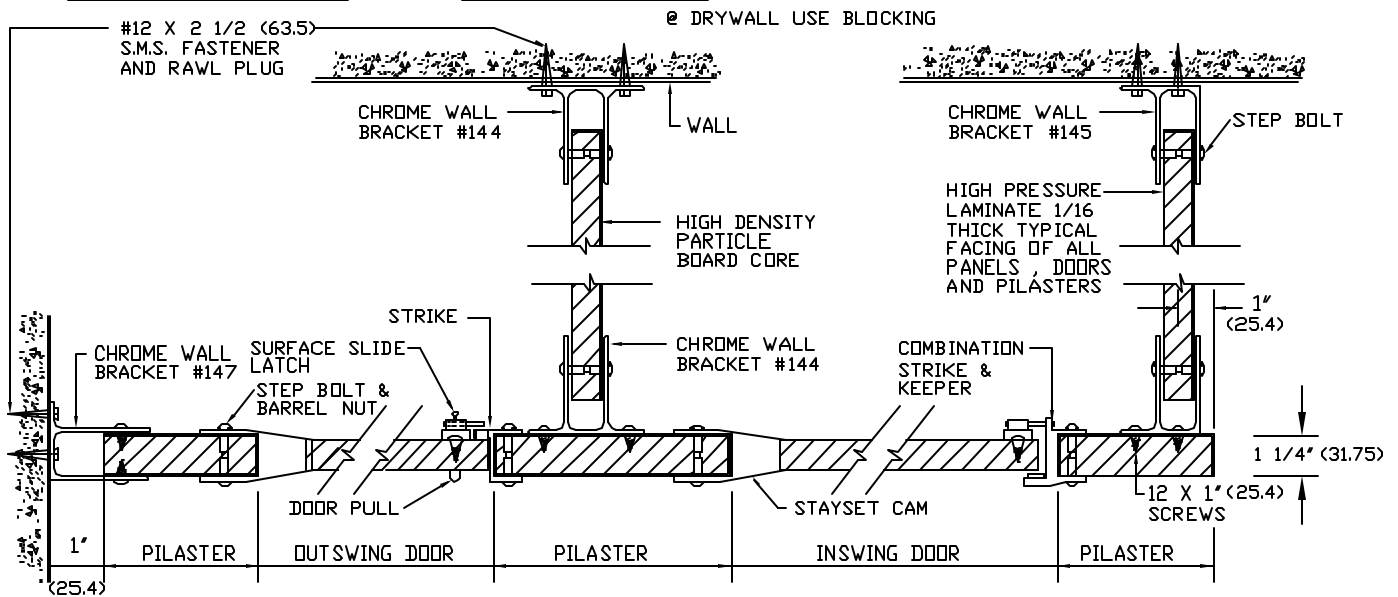


FRONT ELEVATION



SIDE ELEVATION

NOTE:
THIS DRAWING IS A STANDARD DETAIL INTENDED TO SHOW GENERAL CONSTRUCTION AND SPECIFICATION INFORMATION. SEE SHOP DRAWINGS FOR ACTUAL JOB LAYOUT AND SPECIFIC JOB CONDITIONS WHICH SUPERCEDE ANY CONFLICTING INFORMATION ON THIS DETAIL SHEET.



METPAR CORP

95 State Street, Westbury, NY 11590

Tel: 516-333-2600 Fax: 516-333-2618

PLASTIC LAMINATE

STANDARD DETAIL - CH-700
THE FORUM

CH700PL.DWG

5/00