

# **SOLID PHENOLIC TOILET ENCLOSURES**

***THE LUXOR METPAR TYPE: FT-700E Floor Mounted***  
***Eastern Style***

**MATERIALS:** Solid phenolic with melamine surface both sides produced with resin impregnated materials compressed at pressures exceeding 1000 p.s.i. at 256 degrees Fahrenheit resulting in a solid, dense, water resistant product. All edges to be black.

**THICKNESS:** Doors..... Finished thickness to 3/4" (19.05mm) at 69" (1752.6) high  
Panels..... Finished thickness to 1/2" (12.7mm) at 69" (1752.6) high  
Pilasters..... Finished thickness to 3/4" (19.05mm) at 70" (1778) high

## **CONSTRUCTION:**

### Doors and Panels:

Doors and partitions are manufactured from solid phenolic materials. Laminating to a core material is not an acceptable alternative. All edges are beveled and polished. Phenolic is Class-B fire rated based on E-84 Tunnel testing; NFPA No. 255 and U.L. No. 723.

### Pilasters:

Pilasters are manufactured from solid phenolic materials. Laminating to a core material is not an acceptable alternative. All edges are beveled and polished. Phenolic is Class-B fire rated based on E-84 Tunnel testing; NFPA No. 255 and U.L. No. 723. Pilasters are to be secured to concrete floor by a 3/8" (9.525) steel anchor bar mechanism fastened to cylindrical anchors implanted through the complete thickness of the pilaster. Tension nuts will be used to apply equal and opposite pressure to all points of the mounting system. Zinc plated, 3/8" (9.525) diameter studs, lock washers, nuts and expansion shields will be provided.

## **FITTINGS:**

Wall and pilaster brackets are 13 gauge type 304 stainless steel. All connections must be with 1-ear or 2-ear brackets.

## **HARDWARE:**

Each compartment will be complete with all stainless steel surface mounted hardware including; 3 door hinges, latch, stop and keeper, coat hook, as well as all the necessary fittings and fastenings for a complete installation. Fasteners are chrome-plated brass through bolts with tamper-proof Torx-Pin heads. Door hinges to be surface mounted and through-bolt attached to doors and pilasters. Hinge material to be 12 gauge 304 stainless steel with bearing angles of 16 gauge 304 stainless to be electrically welded to full length of both leaves of the top and bottom hinge assemblies to prevent door sag. Fully adjustable door positioning cam and pintle to be made from nylon with a stainless steel pin encased in nylon. Pin must be held in position with snap ring design. Strike & keeper to be 12 gauge 304 stainless steel. Coat hook & bumper to be 304 stainless steel.

## **OPTIONAL FEATURES:**

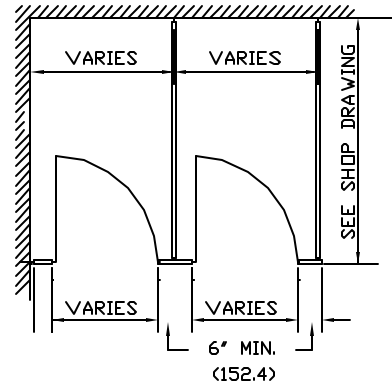
Aluminum curtain track, glides and curtains. Phenolic dressing seats. Full height aluminum or stainless steel brackets. Full height stainless steel Multi-Cam™ Hinges. Class-A rated solid phenolic material.



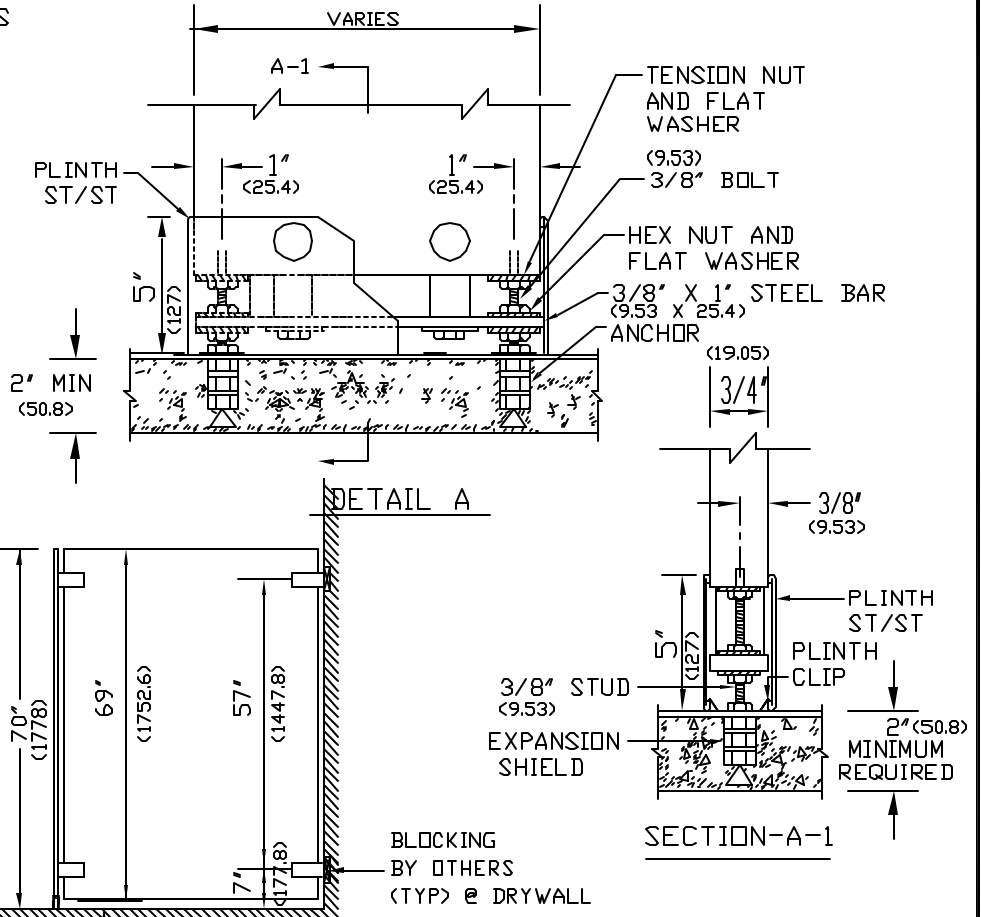
## METPAR CORP.

95 State Street  
Westbury, NY 11590  
Tel: (516) 333-2600  
Fax : (516) 333-2618

DIMENSIONS IN ( ) = MILLIMETERS

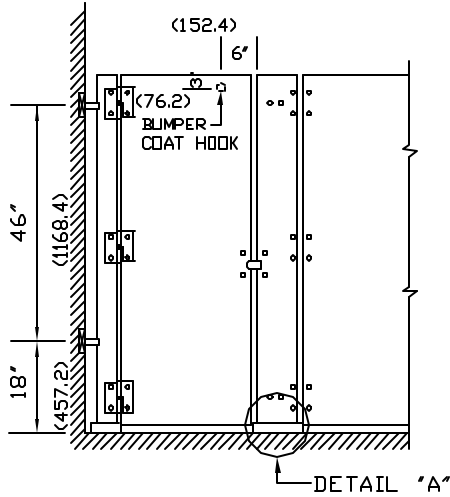


FLOOR PLAN

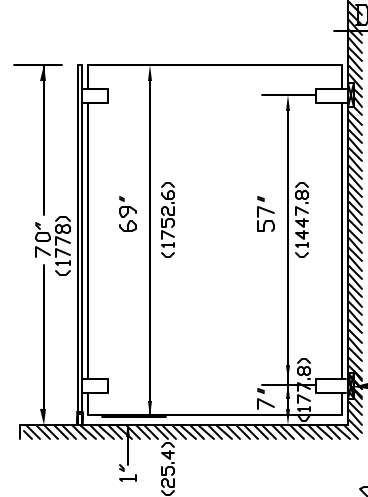


NOTE:

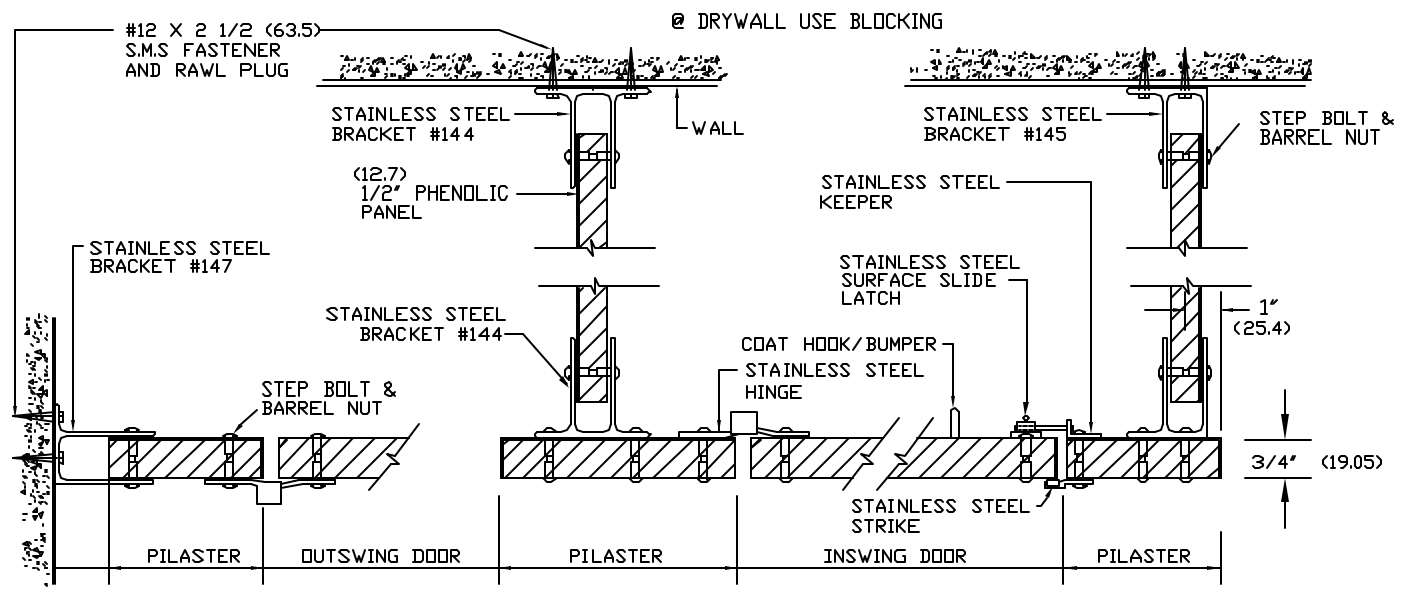
SHOP DRAWINGS FOR ACTUAL JOB LAYOUT AND SPECIFIC JOB CONDITIONS WHICH SUPERCEDE ANY CONFLICTING INFORMATION ON THIS DETAIL SHEET.



FRONT ELEVATION



SIDE ELEVATION



**METPAR CORP**

95 State Street, Westbury, NY 11590

Tel: 516-333-2600 Fax: 516-333-2618

**SOLID PHENOLIC**

EASTERN STYLE DETAIL FT-700E  
THE LUXOR

FT700PHE.DWG

5/00