

POWDER SHIELD TOILET ENCLOSURES

THE LUXOR METPAR TYPE: FT-700E Floor Mounted
Eastern Style

MATERIALS: Bonderized, Galvanized Steel

THICKNESS: Doors..... 22 Gauge, Finished to 1" (25.4mm) at 69" (1752.6) high
Panels..... 20 Gauge, Finished to 1" (25.4mm) at 69" (1752.6) high
Pilasters..... 18 Gauge, Finished to 1 1/4" (31.75mm) at 70" (1778) high

CONSTRUCTION:

Doors:

Finished to 1"(25.4) thick, constructed of two sheets of 22-gauge, bonderized, galvanized steel formed and cemented under pressure to a honeycomb core. Door face sheets are welded at intervals around the entire perimeter. All edges to be finished with a 20-gauge interlocking molding. Corners are finished with pre-formed painted stainless steel (type 304) reinforcements. Corners are to be welded internally to ensure that the galvanized rust resistant coating is not removed. Doors shall have internal steel reinforcements to secure hardware items.

Panels:

Finished to 1" (25.4) thick, constructed of 2 sheets of 20-gauge bonderized, galvanized steel, formed and cemented under pressure to a honeycomb core. All partition edges are finished with a 20-gauge interlocking molding. Corners are finished with pre-formed painted stainless steel (type 304) reinforcements.

Pilasters:

Finished to 1 1/4" (31.75) thick, constructed of two sheets of 18-gauge, bonderized, galvanized steel, formed and assembled with a honeycomb core. Face sheets are electrically welded at intervals around the entire perimeter. All pilasters will have a 3" (76.2) high #4 finish stainless steel plinth (type 304) and have straight, flat sides with rounded edges to match the pilaster profile. Mounting channels are 12-gauge steel electrically welded to the pilaster face sheets. Zinc plated 3/8" (9.525) diameter studs, lock washers, nuts and lead expansion shields are provided.

FITTINGS:

Wall fittings are die cast chrome plated. Minimum of two fittings at each connection.

HARDWARE:

Each compartment will be complete with all hardware, 3 stainless steel door hinges, C.P. Zamac latch, stop and keeper, coat hook, as well as all necessary fittings and fastenings for a complete installation. Hinges and door strikes are fastened by means of tamper-proof Torx-Pin Head through bolts, which are polished chrome plated. All other screws to be tamper-proof Torx-Pin Head chrome plated. Doors to be hung with 3 stainless steel door hinges; hinge material to be 12 gauge 304 stainless steel with bearing angles of 16 gauge 304 stainless to be electrically welded to full length of both leaves of the top and bottom hinge assemblies to prevent door sag. Fully adjustable door positioning cam and pintle to be made from nylon with a stainless steel pin encased in nylon. Pin must be held in position with snap ring design. All doors will have a concealed ADA approved slide latch with external "in-use" indicator.

FINISH:

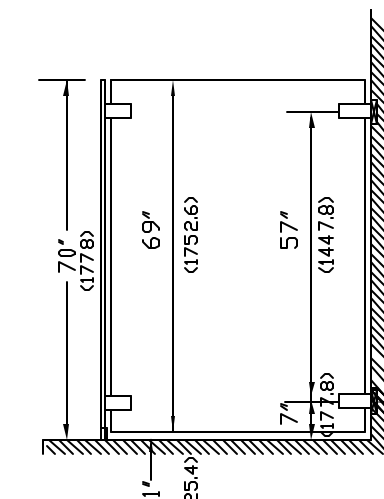
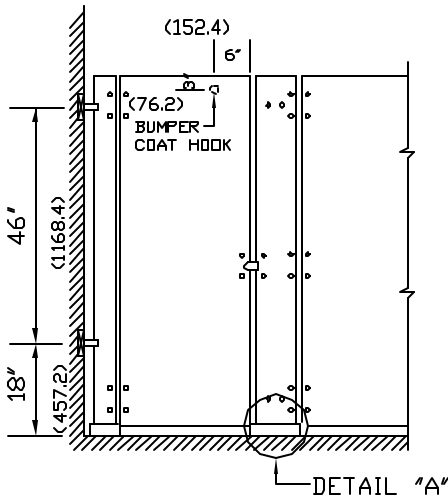
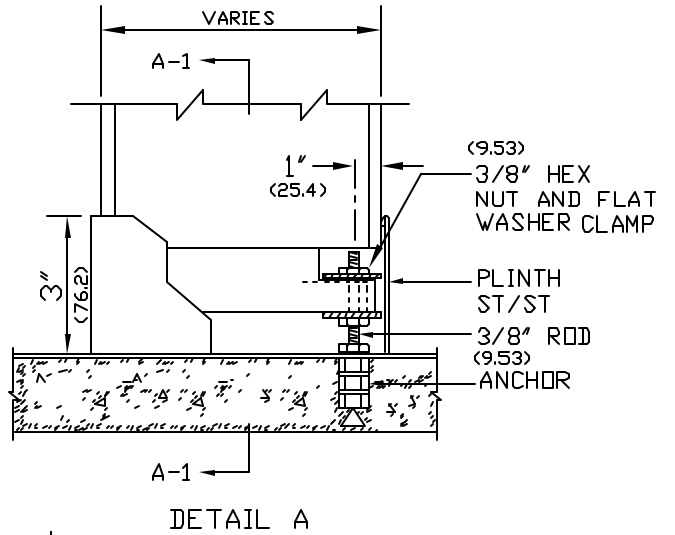
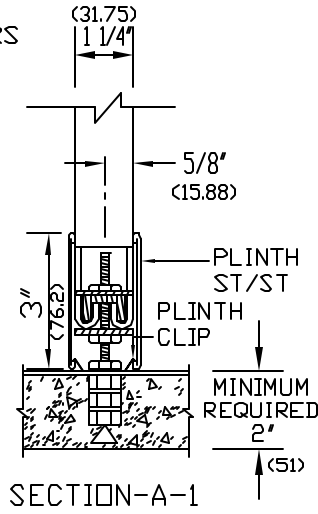
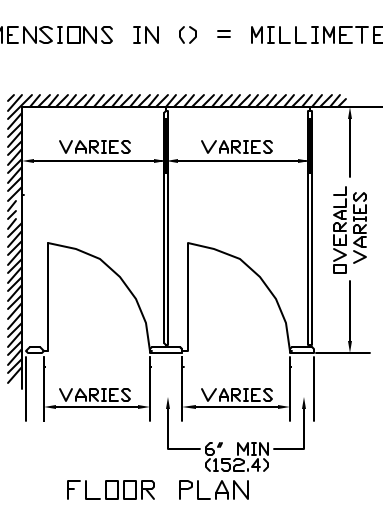
All rust inhibitive coated material shall be chemically cleaned and painted with multiple coats of Epoxy Hybrid Powder applied electrostatically.



METPAR CORP.

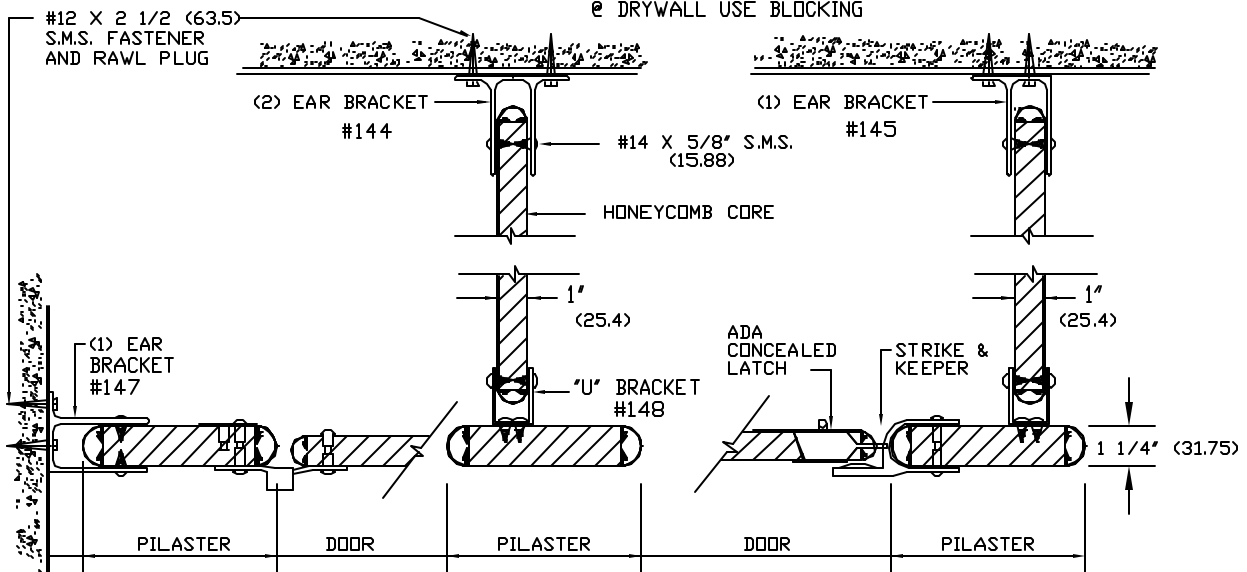
95 State Street
Westbury, NY 11590
Tel: (516) 333-2600
Fax : (516) 333-2618

DIMENSIONS IN () = MILLIMETERS



NOTE:
THIS DRAWING IS A STANDARD
DETAIL INTENDED TO SHOW
GENERAL CONSTRUCTION AND
SPECIFICATION INFORMATION. SEE
SHOP DRAWING FOR ACTUAL JOB
LAYOUTS AND SPECIFIC JOB
CONDITIONS WHICH SUPERCEDE
ANY CONFLICTING INFORMATION
ON THIS DETAIL SHEET.

BLOCKING
BY OTHERS
(TYP) @ DRYWALL



METPAR CORP

95 State Street, Westbury, NY 11590
Tel: 516-333-2600 Fax: 516-333-2618
www.Metpar.com ~ Sales@Metpar.com

POWDER SHIELD
Special Detail - FT700E
The Luxor - Eastern Style

FT700BEE.DWG

9/26/2002